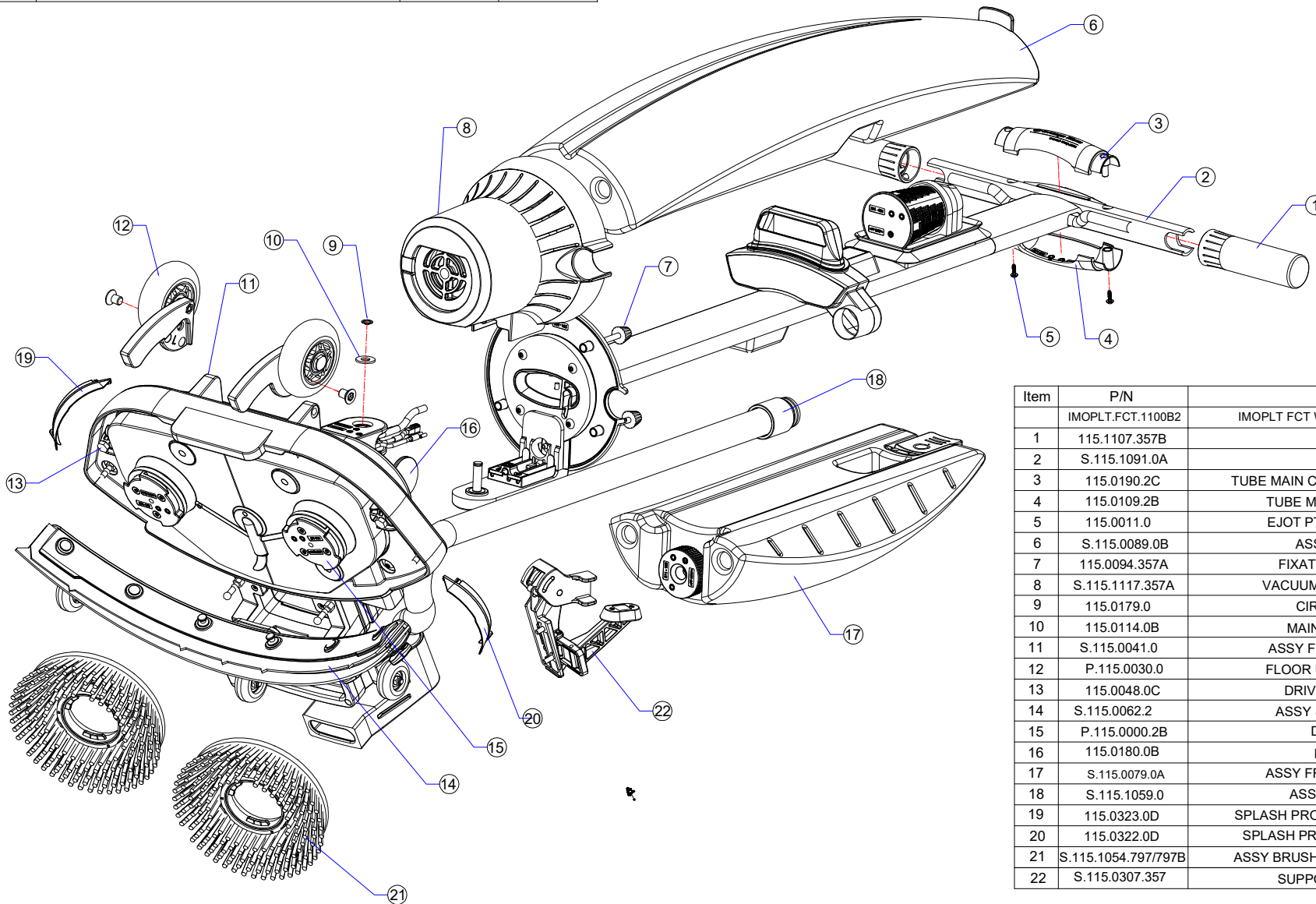


REVISION	DESCRIPTION	REVISED BY	DATE
A	FIRST RELEASE	CONNIE	11/Jan/2022
B	SECOND RELEASE	YANG	19/Jun/2024

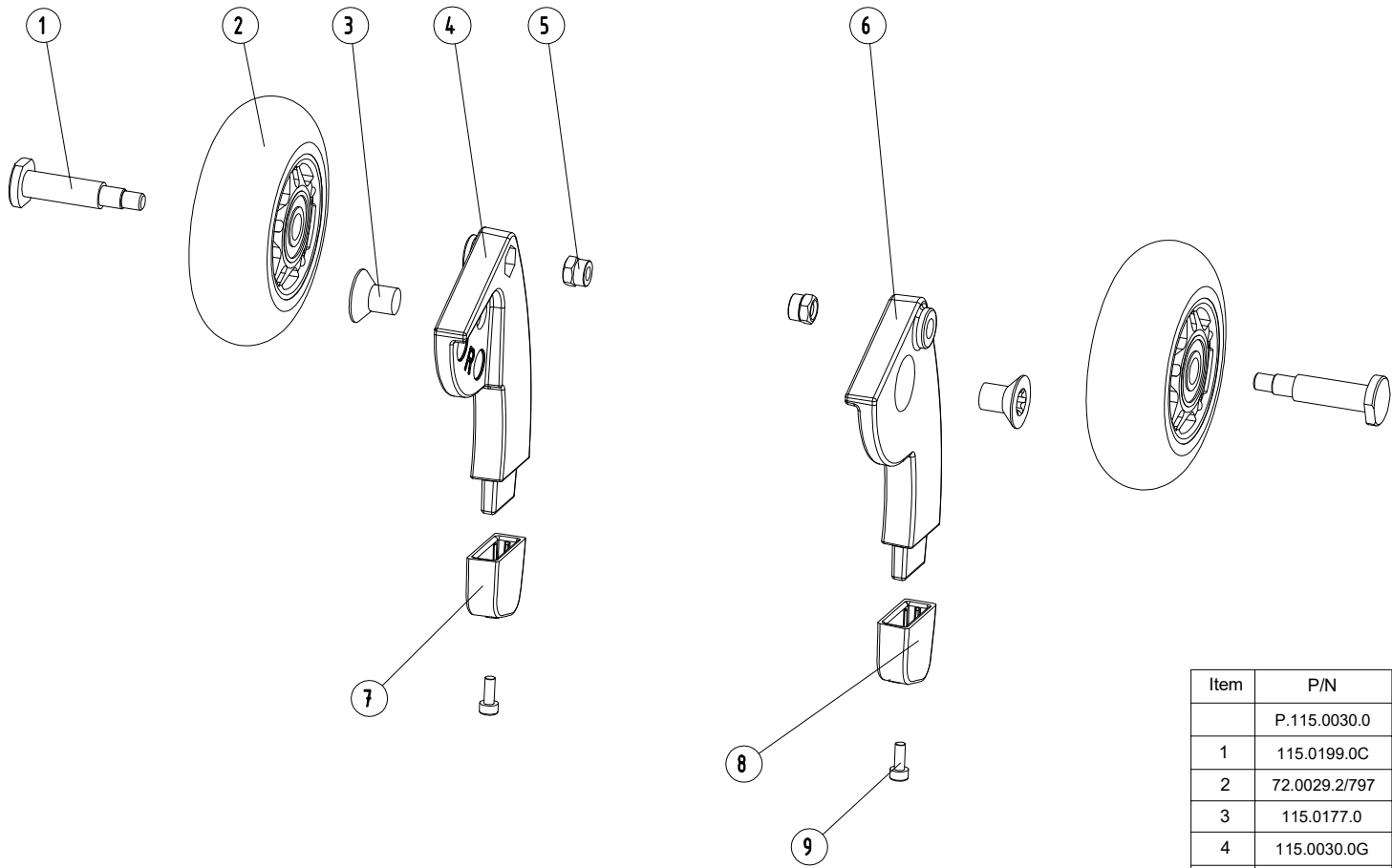


Item	P/N	Description	Qty.
	IMOPLT.FCT.1100B2	IMOPLT FCT WITH MOTOR & CHARGER & BATTERY	
1	115.1107.357B	MAIN GRIP GREY	2
2	S.115.1091.0A	ASSY TUBE	1
3	115.0190.2C	TUBE MAIN COVER FRONT IMOP LITE	1
4	115.0109.2B	TUBE MAIN COVER REAR WHITIE	1
5	115.0011.0	EJOT PT SCREW WN 5451 30X10	2
6	S.115.0089.0B	ASSY VACUUM TANK	1
7	115.0094.357A	FIXATION FEET GREY P431C	4
8	S.115.1117.357A	VACUUM MOTOR HOISING BOTTOM	1
9	115.0179.0	CIRCLIP EXTERNAL 8.0	1
10	115.0114.0B	MAIN HINGE FIXATION DIS	1
11	S.115.0041.0	ASSY FLOOR UNIT COMPLETE	1
12	P.115.0030.0	FLOOR UNIT TRANSPORT CASTOR XL	1
13	115.0048.0C	DRIVE MODULE FIXATION PIN	2
14	S.115.0062.2	ASSY SQUEEGEE MAIN HOISING	1
15	P.115.0000.2B	DRIVE MODULE MOTOR	1
16	115.0180.0B	MAIN HINGE COVER	2
17	S.115.0079.0A	ASSY FRESH WATER TANK	1
18	S.115.1059.0	ASSY MAIN SUCTION HOSE	1
19	115.0323.0D	SPLASH PROTECTION RIGHT NEW STRUCTURE	1
20	115.0322.0D	SPLASH PROTECTION LEFT NEW STRUCTURE	1
21	S.115.1054.797/797B	ASSY BRUSH BLUE BRISTLE BLUE LOCKER	2
22	S.115.0307.357	SUPPORT SYSTEM COMPLETE	1

TOLERANCE UNSPECIFIED		REMARK:		SMT-FCT DONG GUAN THE FRIENDLY FAMILY			
LINE	ANGLE			东莞硕能塑胶模具有限公司 ASSEMBLY AND MOULDING OF CLEANING			
.XXX	±0.005	X	±2°	MATERIAL: APPROVED CHECKED DISGNED REV A PART NAME IMOPLITE FCT WITH MOTOR W/O CHARGER & BAT BIG YANG UNIT MM PART NO IMOPLT.FCT.1100B2/1 SIZE SHEET 1 OF 1 DATE 19/Jun/2024 SCALE 1:1 DRAWING NO			
.XX	±0.05	.X	±1.5°				
.X	±0.1	.XX	±1°				
.	±0.2	.XXX	±0.5°				
XX	±0.5						
	±1						

REVISION	DESCRIPTION	REVISED BY	DATE
A	FIRST RELEASE	CONNIE	11/Jan/2022
B	SECOND RELEASE	YANG	19/Jun/2024

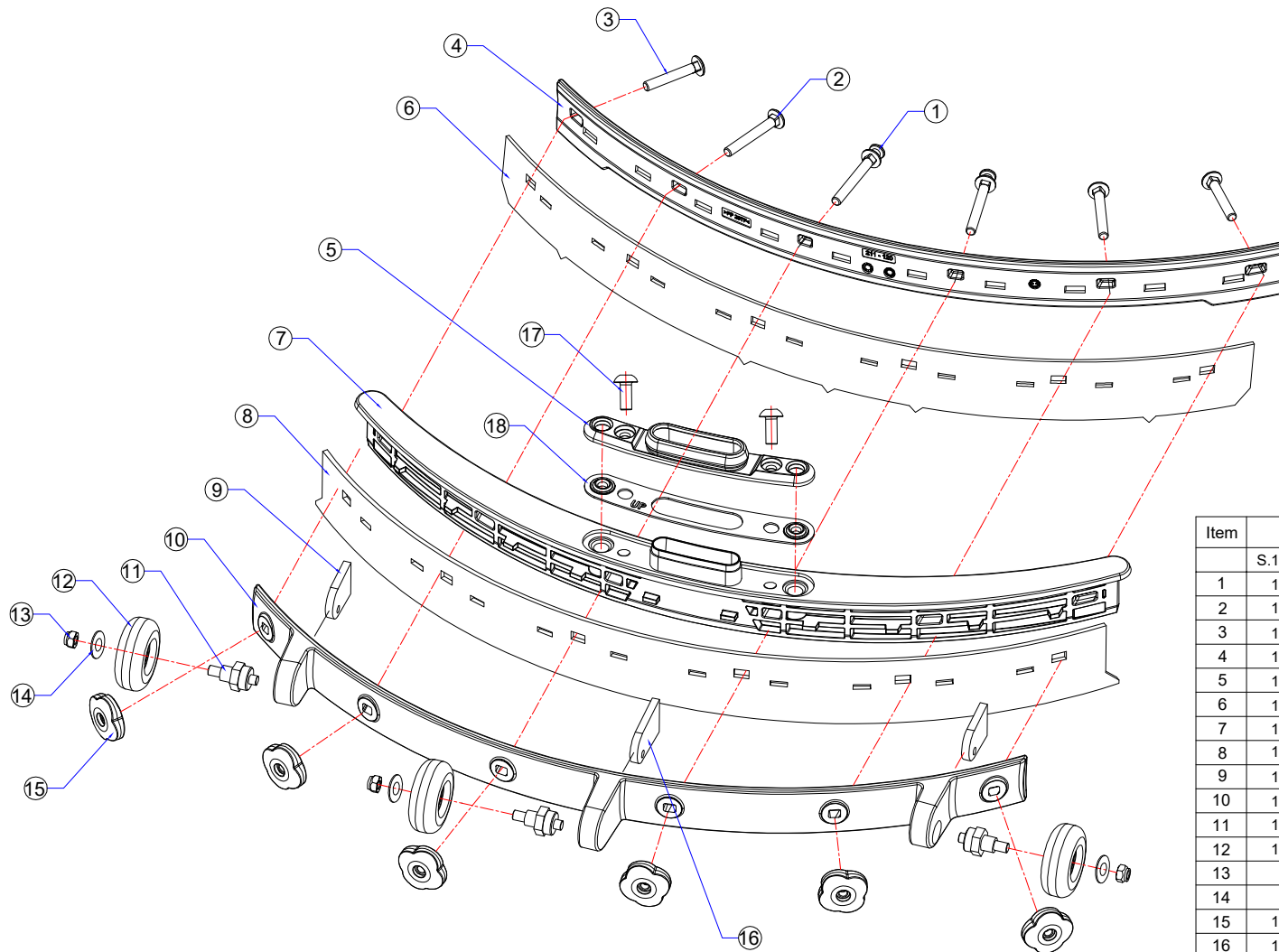
A
B
C
D
E



Item	P/N	Description	Qty.
	P.115.0030.0	FLOOR UNIT TRANSPORT CASTOR XL	
1	115.0199.0C	TRANSPORT CASTOR AXIS IMOPLITE	2
2	72.0029.2/797	WHITE CASTOR + BLUE BRACKET	2
3	115.0177.0	COUNTER SUNK BOLT M8 x 12	2
4	115.0030.0G	TRANSPORT WHEEL PILLAR RIGHT	1
5	04.0048.0	NUT M5 NYLON STAINLESS	2
6	115.0031.0G	TRANSPORT WHEEL PILLAR LEFT	1
7	115.0226.36	TRANSPORT WHEEL PILLAR COVER SILVER RAL 9006 RIGHT	1
8	115.0265.36	TRANSPORT WHEEL PILLAR COVER SILVER RAL 9006 LEFT	1
9	115.0037.01	CYLINDER ROUND HEAD CAP SCREW M3 x 8 SUS304	2

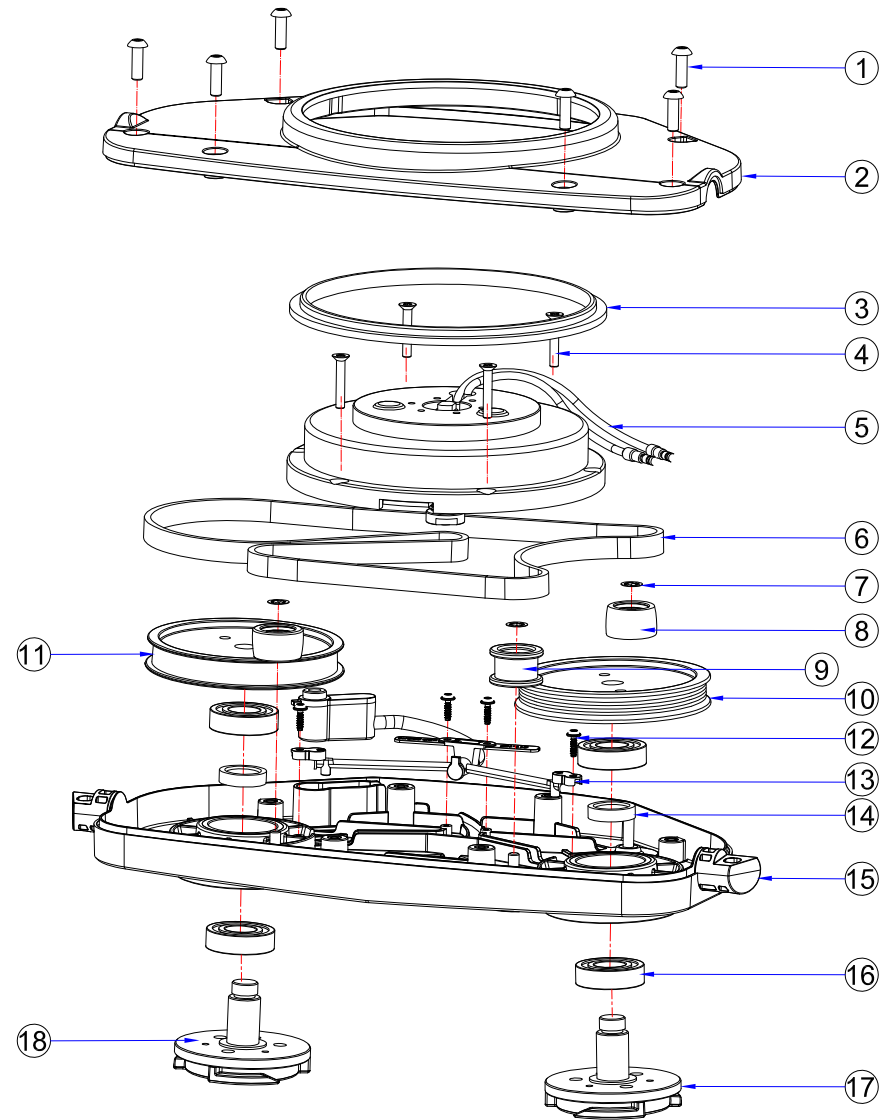
TOLERANCE UNSPECIFIED		REMARK:		<p style="text-align: center;">SMT FCT DONG GUAN THE FRIENDLY FAMILY</p> <p style="text-align: center;">东莞硕能塑胶模具有限公司 ASSEMBLY AND MOULDING OF CLEANING</p>					
LINE	ANGLE	MATERIAL:							
.XXX ±0.005	X ±2°	APPROVED	CHECKED	DISGNED	REV	A	PART NAME	IMOPLITE FCT WITH MOTOR W/O CHARGRE & BAT BIG	
.XX ±0.05	.X ±1.5°			YANG	UNIT	MM	PART NO	IMOPLT.FCT.1100B2/1	SIZE
.X ±0.1	.XX ±1°				SCALE	1:1	DRAWING NO		A4
. ±0.2	.XXX ±0.5°								
XX ±0.5									
±1									
SHEET 1 OF 1		DATE		19/Jun/2024					

REVISION	DESCRIPTION	REVISED BY	DATE
A	FIRST RELEASE	CONNIE	11/Jan/2022
B	SECOND RELEASE	YANG	19/Jun/2024



Item	P/N	Description	Qty.
	S.115.0062.2	ASSY SQUEEGEE MAIN HOUSING	
1	115.0069.0A	SQUEEGEE BOLT LARGE	2
2	115.0068.0A	SQUEEGEE BOLT MEDIUM	2
3	115.0067.0A	SQUEEGEE BOLT SMALL	2
4	115.0063.357C	SQUEEGEE FRONT HOUSING GREY P431C	1
5	115.0070.357C	SQUEEGEE BRACKET GREY P431C	1
6	115.0065.2C	SQUEEGEE FRONT AIROFLEX T=2MM LINATEX MATERIAL	1
7	115.0062.357C	SQUEEGEE MAIN HOUSING GREY P431C	1
8	115.0066.2C	SQUEEGEE REAR T=2.5MM LINATEX MATERIAL	1
9	115.0071.0A	SQUEEGEE CASTOR BRACKET SHORT	2
10	115.0064.357D	SQUEEGEE REAR HOUSING GREY P431C	1
11	115.0076.0D	SQUEEGEE CASTOR AXIS	3
12	115.0075.357A	QUEEGEE CASTOR GREY P431C	3
13	04.0048.0	NUT M5 NYLON STAINLESS	3
14	00.0091.0	WASHER STAINLESS M5 5.1x12x1	3
15	115.0073.357A	SQUEEGEE FIXATION NUT GREY P431C	6
16	115.0072.0A	SQUEEGEE CASTOR BRACKET LONG	1
17	115.0095.0	CYLINDER RROUND HEAD CAP SCREW	2
18	115.0268.0	RUBBER WASHER SQUEEGEE PIN I-MOP LITE	1

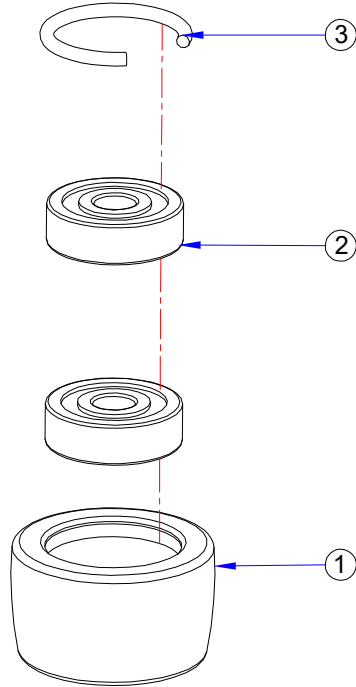
TOLERANCE UNSPECIFIED		REMARK:		 东莞硕能塑胶模具有限公司 ASSEMBLY AND MOULDING OF CLEANING							
LINE	ANGLE	MATERIAL:									
.XXX	±0.005	X	±2°	APPROVED	CHECKED	DISGNED	REV	A	PART NAME	IMOPLITE FCT WITH MOTOR W/O CHARGRER & BAT BIG	
.XX	±0.05	.X	±1.5°				UNIT	MM	PART NO	IMOPLT.FCT.1100B2/1	SIZE
.X	±0.1	.XX	±1°				SCALE	1:1	DRAWING NO		A4
.XX	±0.2	.XXX	±0.5°								
	±0.5										
	±1										
SHEET 1 OF 1		DATE				19/Jun/2024					



Item	P/N	Description	Qty.
	P.115.0000.0A	DRIVE MODULE MOTOR	
1	115.0012.0	CYLINDER ROUND HEAD CAP SCREW M5X16	6
2	115.0005.357C	DRIVE MODULE COVER GREY P431C	1
3	115.0003.0B	DRIVE MOTOR RUBBER	1
4	115.0002.0	COUNTER SUNK BOLT M4X25	4
5	S.115.0000.0A	ASSY DRIVE MODULE MOTOR	1
6	115.0004.0	PULLEY 864	1
7	115.0023.0	SELF LOCKING RING ZA 5	3
8	S.115.0009.0C	IDLER COMPLETE TYP C	2
9	S.115.0008.0C	ASSY IDLER TYP B	1
10	115.0006.0D	DRIVE PULLEY CW	1
11	115.0007.0E	DRIVE PULLEY CCW	1
12	115.0011.0	EJOT PT SCREW WN 5451 30X10	4
13	S.115.0020.357	ASSY DRIVE MODULE WATER DISTRIBUTOR	1
14	115.0097.0A	DRIVE MODULE CHASSIS BEARING SUPPORT RING	2
15	S.115.0010.357O	CHASSIS COMPLETE GREY P431C	1
16	115.0195.0	BALL BEARING 6002 2Z	4
17	S.115.0016.357A	ASSY BRUSH COUPLING CW GREY P431C	1
18	S.115.0017.357A	ASSY BRUSH COUPLING CCW GREY P431C	1

TOLERANCE UNSPECIFIED		REMARK:		 THE FRIENDLY FAMILY 东莞硕能塑胶模具有限公司							
				ASSEMBLY AND MOULDING OF CLEANING							
		MATERIAL:		APPROVED	CHECKED	DISGNED	REV	A	PART NAME	IMOPLITE FCT WITH MOTOR W/O CHARGRER & BAT BIG	
						CONNIE	UNIT	MM	PART NO	IMOPLT.FCT.1100B2/1	SIZE
SHEET 1 OF 1		DATE				11/Jan/2022	SCALE	1:1	DRAWING NO		A4

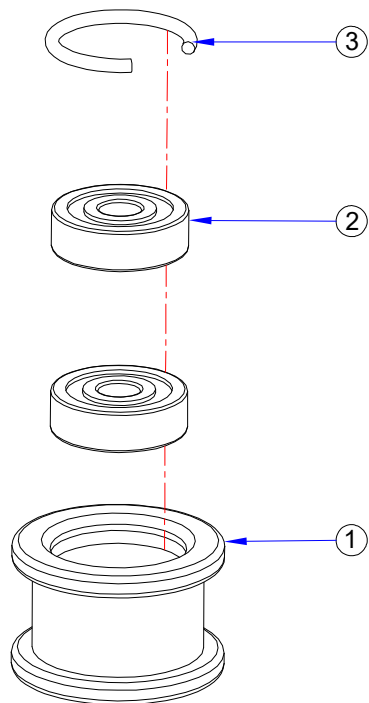
REVISION	DESCRIPTION	REVISED BY	DATE
A	FIRST RELEASE	CONNIE	11/Jan/2022
B	SECONT RELEASE	YANG	19/Jun/2024



Item	P/N	Description	Qty.
	S.115.0009.0C	IDLER COMPLETE TYP C	
1	115.0009.0C	IDLER TYP A	1
2	115.0182.0	BALL BEARING 625 2Z	2
3	115.0183.0	SNAP RING CIRCLIP RB 16X1.6	1

TOLERANCE UNSPECIFIED		REMARK:		<p style="text-align: center;">SMT FCT DONG GUAN THE FRIENDLY FAMILY 东莞硕能塑胶模具有限公司 ASSEMBLY AND MOULDING OF CLEANING</p>					
LINE	ANGLE	MATERIAL:							
.XXX ±0.005	X ±2°	APPROVED	CHECKED	DISGNED	REV	A	PART NAME	IMOPLTE.FCT WITH MOTOR W/O CHARGRER & BAT BIG	
.XX ±0.05	.X ±1.5°			YANG	UNIT	MM	PART NO	IMOPLT.FCT.1100B2/1	SIZE
.X ±0.1	.XX ±1°				SCALE	1:1	DRAWING NO		A4
. ±0.2	.XXX ±0.5°								
XX ±0.5									
±1									
SHEET 1 OF 1		DATE		19/Jun/2024					

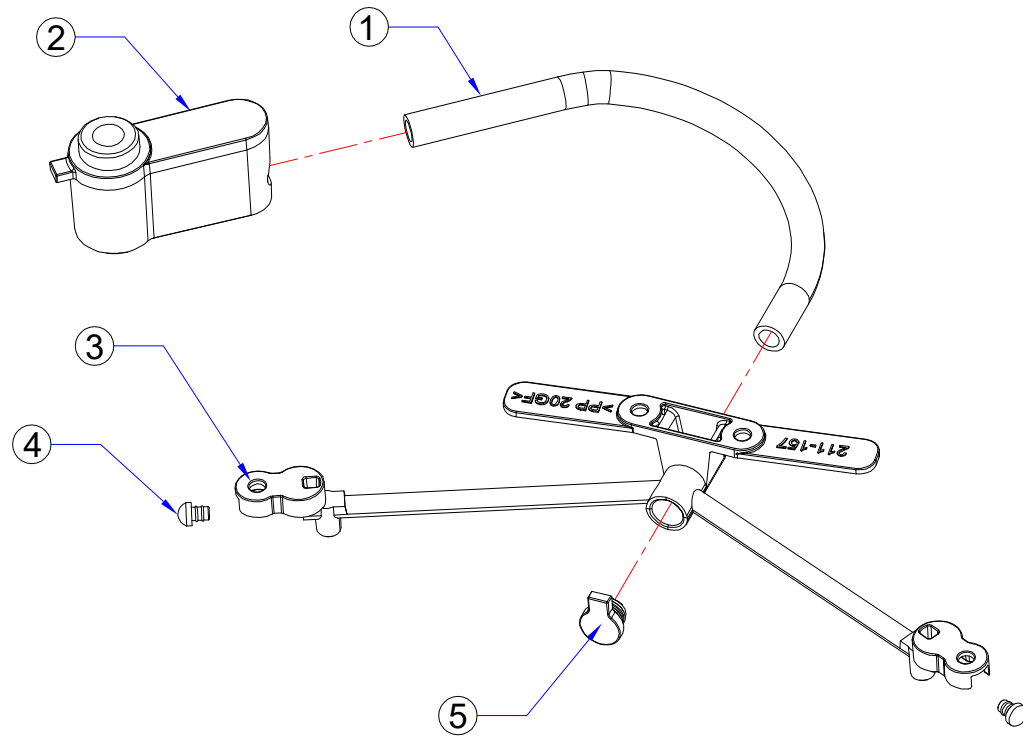
REVISION	DESCRIPTION	REVISED BY	DATE
A	FIRST RELEASE	CONNIE	11/Jan/2022
B	SECOND RELEASE	YANG	19/Jun/2024



Item	P/N	Description	Qty.
	S.115.0008.0E	ASSY IDLER TYP B	
1	115.0008.0E	IDLER TYP B	1
2	115.0182.0	BALL BEARING 625 2Z	2
3	115.0183.0	SNAP RING CIRCLIP RB 16X1.6	1

TOLERANCE UNSPECIFIED		REMARK:				SMT FCT DONG GUAN THE FRIENDLY FAMILY 东莞硕能塑胶模具有限公司 ASSEMBLY AND MOULDING OF CLEANING						
LINE	ANGLE	MATERIAL:				APPROVED	CHECKED	DISGNED	REV	A	PART NAME	IMOPLITE FCT WITH MOTOR W/O CHARGRER & BAT BIG
.XXX	±0.005	X	±2°									
.XX	±0.05	.X	±1.5°									
.X	±0.1	.XX	±1°									
.	±0.2	.XXX	±0.5°									
XX	±0.5											
	±1											
SHEET 1 OF 1		DATE		19/Jun/2024		SCALE	1:1	DRAWING NO				

REVISION	DESCRIPTION	REVISED BY	DATE
A	FIRST RELEASE	CONNIE	11/Jan/2022
B	SECOND RELEASE	YANG	19/Jun/2024

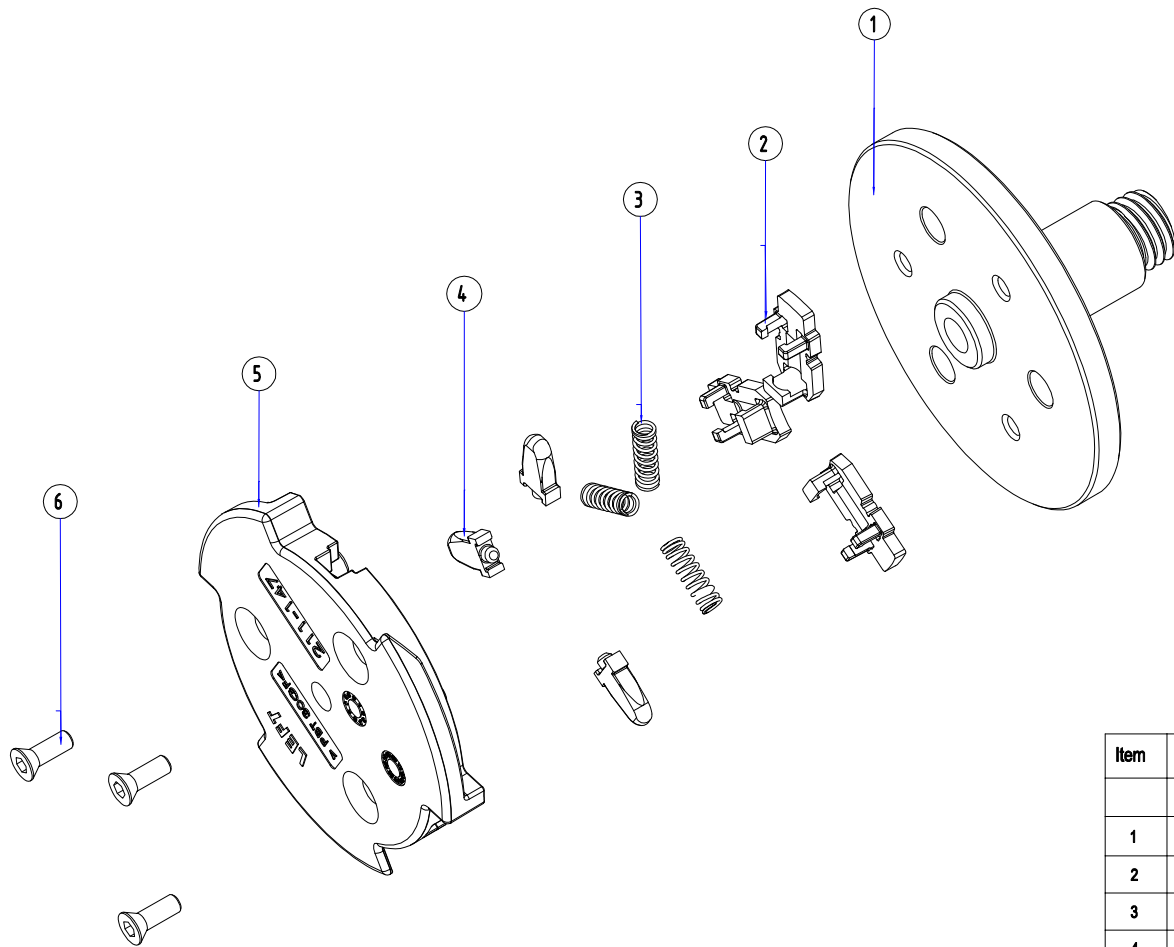


Item	P/N	Description	Qty.
	S.115.1020.357	ASSY DRIVE MODULE WATER DISTRIBUTOR	
1	115.0022.0	DRIVE MODULE HOSE EXTERNAL	1
2	115.0021.0A	DRIVE MODULE RUBBER COUPLING	1
3	115.0020.357F	DRIVE MODULE WATER DISTRIBUTOR	1
4	115.0015.0B	DRIVE MODULE RUBBER END STOP	2
5	115.0014.0A	DRIVE MODULE RUBBER STOP	1

TOLERANCE UNSPECIFIED		REMARK:			<p align="center">SMT-FCT DONG GUAN THE FRIENDLY FAMILY</p> <p align="center">东莞硕能塑胶模具有限公司 ASSEMBLY AND MOULDING OF CLEANING</p>			
LINE	ANGLE	MATERIAL:						
.XXX ±0.005	X ±2°	APPROVED	CHECKED	DISGNED	REV	A	PART NAME	IMOPLTE FCT WITH MOTOR W/O CHARGRER & BAT BIG
.XX ±0.05	.X ±1.5°			YANG	UNIT	MM	PART NO	IMOPLT.FCT.1100B2/1
.X ±0.1	.XX ±1°				SCALE	1:1	DRAWING NO	
. ±0.2	.XXX ±0.5°							
XX ±0.5								
±1								
SHEET 1 OF 1		DATE		19/Jun/2024				A4

A
B
C
D
E

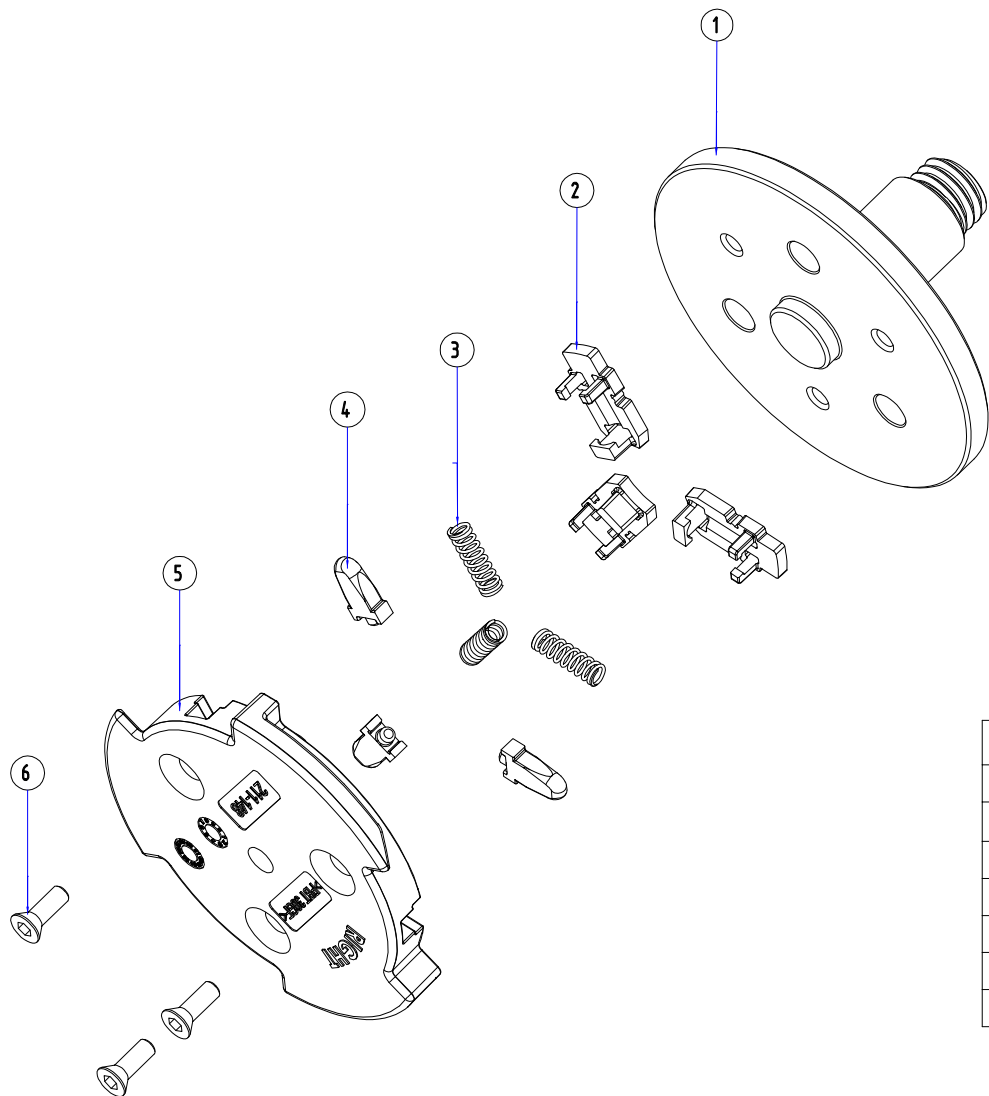
REVISION	DESCRIPTION	REVISED BY	DATE
A	FIRST RELEASE	CONNIE	11/Jan/2022
B	SECOND RELEASE	YANG	19/Jun/2024



Item	P/N	Description	Qty.
	S.115.1016.357	BRUSH COUPLING CW (LEFT) LOCKER ASSY	
1	115.0018.0D	PULLEY AXIS CW	1
2	115.0329.357	SLIDER HOUSING BRUSH LOCKER	3
3	115.0331.0	COMPRESSION SPRING OD3.7 x ID2.7 x L12	3
4	115.0330.357	BULB-ENDED SLIDER BRUSH LOCKER	3
5	115.0016.357E	BRUSH COUPLING CW GREY P431C	1
6	115.0013.0	COUNTER SUNK BOLT M4X12	3

TOLERANCE UNSPECIFIED		REMARK:			SMT FCT DONG GUAN THE FRIENDLY FAMILY 东莞硕能塑胶模具有限公司 ASSEMBLY AND MOULDING OF CLEANING							
LINE	ANGLE	MATERIAL:			APPROVED	CHECKED	DISGNED	REV	A	PART NAME	IMOPLTE FCT WITH MOTOR W/O CHARGRER & BAT BIG	SIZE
.XXX	±0.005	X	±2°									
.XX	±0.05	.X	±1.5°									
.X	±0.1	.XX	±1°									
.	±0.2	.XXX	±0.5°									
XX	±0.5											
	±1											
SHEET 1 OF 1		DATE		19/Jun/2024			SCALE	1:1	DRAWING NO		A4	

REVISION	DESCRIPTION	REVISED BY	DATE
A	FIRST RELEASE	CONNIE	11/Jan/2022
B	SECOND RELEASE	YANG	19/Jun/2024



Item	P/N	Description	Qty.
	S.115.1017.357	BRUSH COUPLING CCW (RIGHT) LOCKER ASSY	
1	115.0019.0D	PULLEY AXIS CCW	1
2	115.0329.357	SLIDER HOUSING BRUSH LOCKER	3
3	115.0331.0	COMPRESSION SPRING OD3.7 x ID2.7 x L12	3
4	115.0330.357	BULB-ENDED SLIDER BRUSH LOCKER	3
5	115.0017.357E	BRUSH COUPLING CCW GREY P431C	1
6	115.0013.0	COUNTER SUNK BOLT M4X12	3

TOLERANCE UNSPECIFIED		REMARK:		<p style="text-align: center;">SMT-FCT DONG GUAN THE FRIENDLY FAMILY</p> <p style="text-align: center;">东莞硕能塑胶模具有限公司 ASSEMBLY AND MOULDING OF CLEANING</p>					
LINE	ANGLE	MATERIAL:							
.XXX ±0.005	X ±2°	APPROVED	CHECKED	DISGND	REV	A	PART NAME	IMOPLTE FCT WITH MOTOR W/O CHARGRER & BAT BIG	
.XX ±0.05	.X ±1.5°			YANG	UNIT	MM	PART NO	IMOPLT.FCT.1100B2/1	SIZE
.X ±0.1	.XX ±1°				SCALE	1:1	DRAWING NO		A4
. ±0.2	.XXX ±0.5°	SHEET 1 OF 1		DATE					
XX ±0.5				19/Jun/2024					
±1									

REVISION	DESCRIPTION	REVISED BY	DATE
A	FIRST RELEASE	CONNIE	11/Jan/2022
B	SECOND RELEASE	YANG	19/Jun/2024

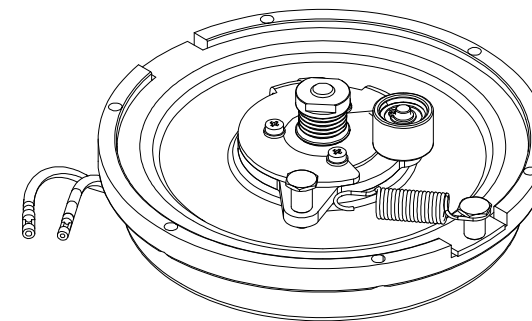
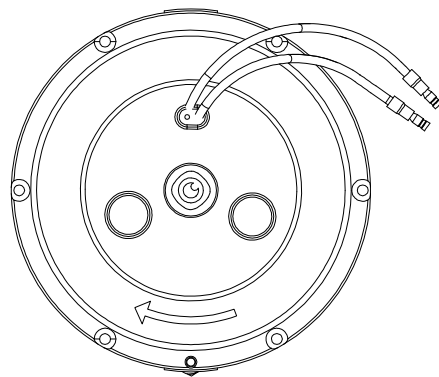
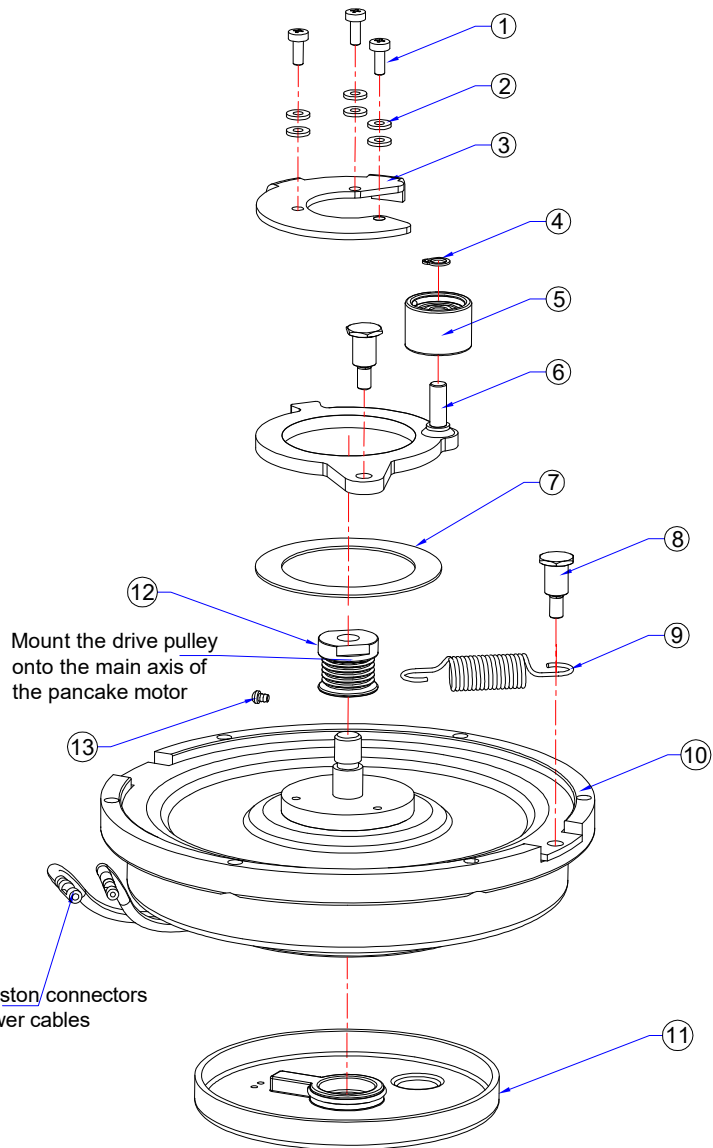
A

B

C

D

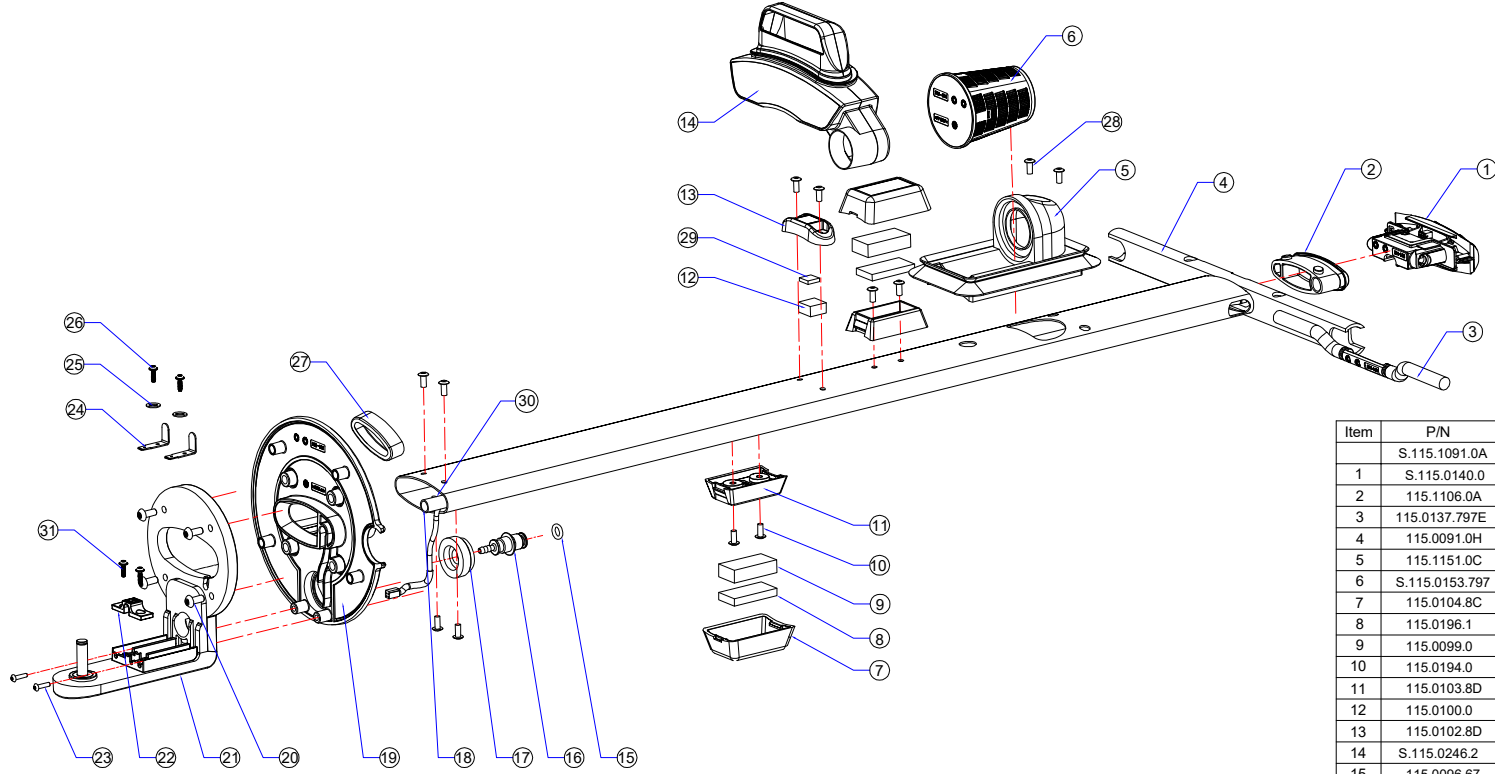
E



Item	P/N	Description	Qty.
	S.115.0000.0A	ASSY DRIVE MODULE MOTOR	
1	115.0037.1	CYLINDER ROUND HEAD CAP SCREW M3 x 8 SUS304	3
2	24.0054.0	M3 SPRING WASHER	6
3	115.0230.0B	PULLEY TENSION FIXATION PLATE	1
4	115.0023.0	SELF LOCKING RING ZA 5	1
5	S.115.0231.0A	IDLER COMPLETE TYP C	1
6	115.0230.0B	PULLEY TENSION COMPLETE	1
7	115.0234.0B	PULLEY TENSION BEARING	1
8	115.0235.0B	PULLEY TENSION SPRING	2
9	115.0232.0	TENSION SPRING	1
10	115.0000.0L	DRIVE MODULE MOTOR FOUR M3 HOLD	1
11	115.0241.797	MOTOR SEAL RUBBER COVER BLUE	1
12	115.0001.0B	DRIVE PULLEY	1
13	115.1015.0B	DRIVE MODULE RUBBER END STOP	1

TOLERANCE UNSPECIFIED		REMARK:		SMT = FCT DONG GUAN THE FRIENDLY FAMILY							
LINE	ANGLE			MATERIAL:							
.XXX	±0.005	X	±2°	APPROVED	CHECKED	DISGNED	REV	A	PART NAME	IMOPLITE FCT WITH MOTOR W/O CHARGER & BAT BIG	SIZE
.XX	±0.05	.X	±1.5°				UNIT	MM	PART NO	IMOPLT.FCT.1100B2/1	A4
.X	±0.1	.XX	±1°				SCALE	1:1	DRAWING NO		
.	±0.2	.XXX	±0.5°								
XX	±0.5										
	±1										
SHEET 1 OF 1		DATE				19/Jun/2024					

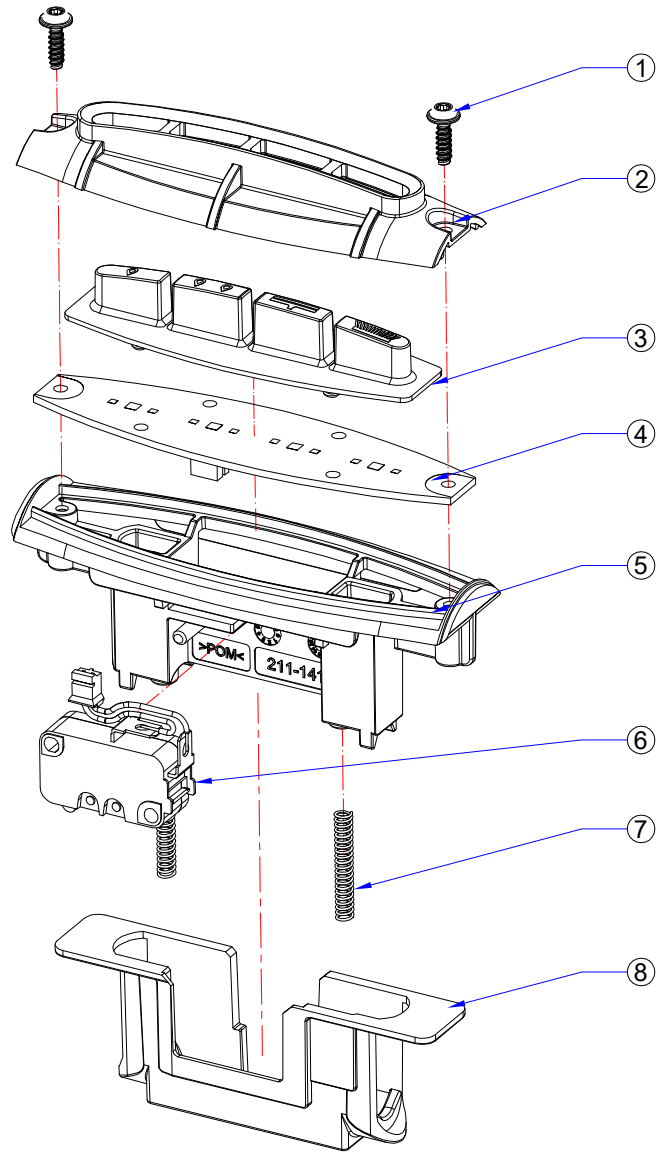
REVISION	DESCRIPTION	REVISED BY	DATE
A	FIRST RELEASE	CONNIE	11/Jan/2022
B	SECOND RELEASE	YANG	19/Jun/2024



Item	P/N	Description	Qty.
	S.115.1091.0A	ASSY TUBE	
1	S.115.0140.0	ASSY CONTROL UNIT PCB	1
2	115.1106.0A	TUBE RUBBER	1
3	115.0137.797E	CONTROL UNIT HANDLE	1
4	115.0091.0H	TUBE	1
5	115.1151.0C	FLOAT TOP SEAL RUBBER	1
6	S.115.0153.797	ASSY HOLLOW BALL 38	1
7	115.0104.8C	TANK HOLDER COVER YELLOW	2
8	115.0196.1	EVA WASHER 40X20X1.5	2
9	115.0099.0	NEODYMIUM MAGNET BLOCK 40X20X10	2
10	115.0194.0	CLOSED RIVET 4X10	10
11	115.0103.8D	TANK HOLDER FIXATION YELLOW	2
12	115.0100.0	NEODYMIUM MAGNET BLOCK 15X15X8	1
13	115.0102.8D	HOSE CONNECTOR HOLDER FIXATION	1
14	S.115.0246.2	ASSY HOSE CONNECTOR HOLDER BOTTOM	1
15	115.0096.67	O-RING 6X3	1
16	115.0110.0E	WATER CONNECTOR MALE PIN	1
17	115.1111.0D	WATER CONNECTOR MALE RUBBER	1
18	115.0105.0	CONTROL UNIT CABLE COMPLETE	1
19	115.0093.357H	TUBE MAIN ADAPTER GREY P431C	1
20	115.0095.0	CYLINDER ROUND HEAD CAP SCREW	4
21	S.115.0092.357J	HINGE BRACKET GREY P431C	1
22	115.0116.357B	HINGE BRACKET COVER GREY P431C	1
23	115.0039.1	CYLINDER HEAD CAP SCREW DIN 7505 M3X20	2
24	115.0115.0A	VACUUM MOTOR ELECTRO CONTACT LARGER	2
25	115.0208.0	PA WASHER 3X8X1MM	2
26	115.0011.1	EJOT PT SCREW WN 5451 30X6	2
27	115.0242.357	TUBE MAIN ADAPTER SEAL GREY	1
28	115.0039.1	SCREW ST3X20	2
29	115.0196.2	EVA WASHER 15x15x1.5MM	1
30	115.0113.2	CONTROL CABLE TUBE	1
31	115.0011.0	EJOT PT SCREW WN 5451 30X10	2

TOLERANCE UNSPECIFIED		REMARK:			 东莞硕能塑胶模具有限公司 ASSEMBLY AND MOULDING OF CLEANING						
LINE	ANGLE	MATERIAL:									
.XXX	±0.005	X	±2°	APPROVED	CHECKED	DISGNED	REV	A	PART NAME	IMOPLITE FCT WITH MOTOR W/O CHARGRER & BAT BIG	
.XX	±0.05	.X	±1.5°				UNIT	MM	PART NO	IMOPLT.FCT.1100B2/1	SIZE
.X	±0.1	.XX	±1°			YANG	SCALE	1:1	DRAWING NO		A4
.	±0.2	.XXX	±0.5°								
XX	±0.5										
	±1										
SHEET 1 OF 1		DATE									

REVISION	DESCRIPTION	REVISED BY	DATE
A	FIRST RELEASE	CONNIE	11/Jan/2022
B	SECOND RELEASE	YANG	19/Jun/2024



Item	P/N	Description	Qty.
	S.115.0140.0	ASSY CONTROL UNIT PCB	
1	115.0011.0	EJOT PT SCREW WN 5451 30X10	2
2	115.0134.2B	CONTROL UNIT KEY PAD FRAME WHITE	1
3	115.1138.0B	CONTROL UNIT KEY PAD	1
4	115.0135.0B	CONTROL UNIT PCB	1
5	115.0136.0E	CONTROL UNIT PCB FRAME	1
6	S.115.0139.0	ASSY CONTROL UNIT POWER SWITCH	1
7	115.0133.0	COMPRESSION SPRING 2.7X3.7X23.5	2
8	115.0140.0G	CONTROL UNIT HANDLE FRAME	1

TOLERANCE UNSPECIFIED		REMARK:		SMT FCT DONG GUAN THE FRIENDLY FAMILY							
LINE	ANGLE	MATERIAL:									
.XXX	±0.005	X	±2°	APPROVED	CHECKED	DISGNED	REV	A	PART NAME	IMOPLITE FCT WITH MOTOR W/O CHARGRER & BAT BIG	
.XX	±0.05	.X	±1.5°			YANG	UNIT	MM	PART NO	IMOPLT.FCT.1100B2/1	SIZE
.X	±0.1	.XX	±1°				SCALE	1:1	DRAWING NO		A4
.	±0.2	.XXX	±0.5°								
XX	±0.5										
	±1										
SHEET 1 OF 1		DATE		19/Jun/2024							

东莞硕能塑胶模具有限公司
ASSEMBLY AND MOULDING OF CLEANING

A

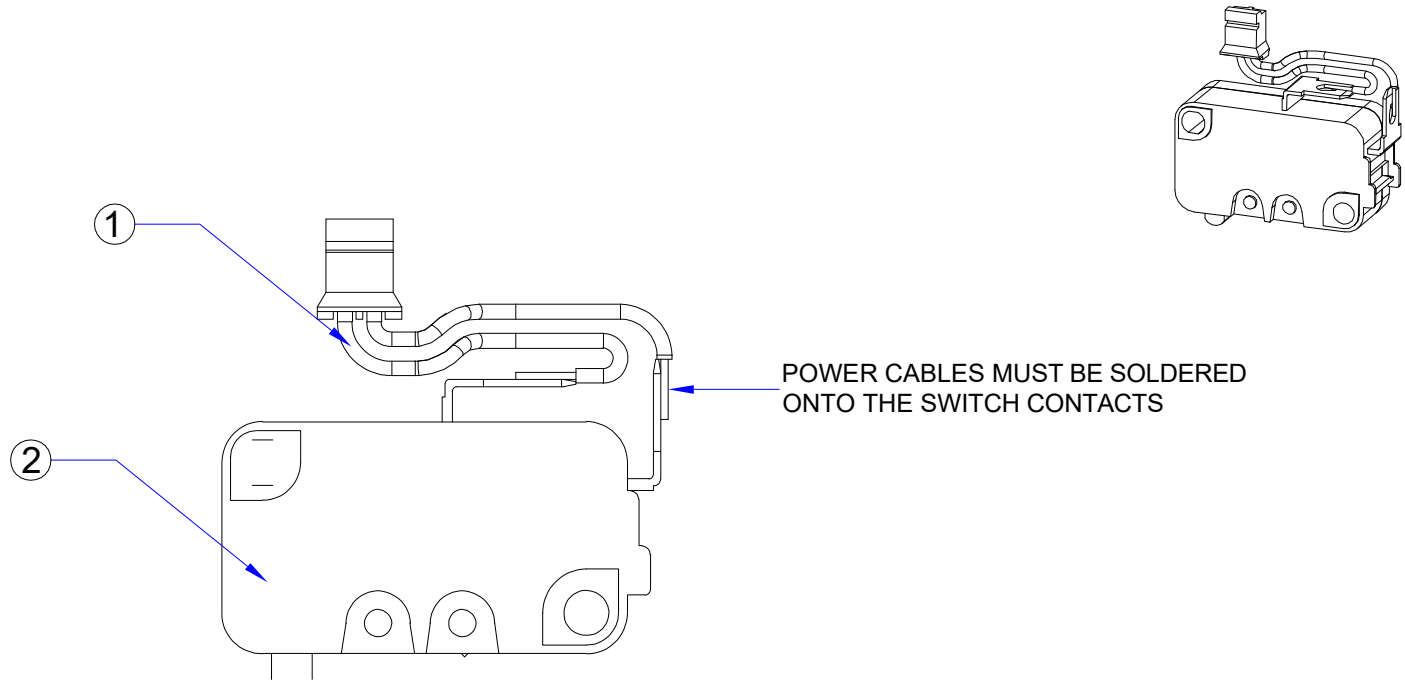
B

C

D

E

REVISION	DESCRIPTION	REVISED BY	DATE
A	FIRST RELEASE	CONNIE	11/Jan/2022
B	SECOND RELEASE	YANG	19/Jun/2024

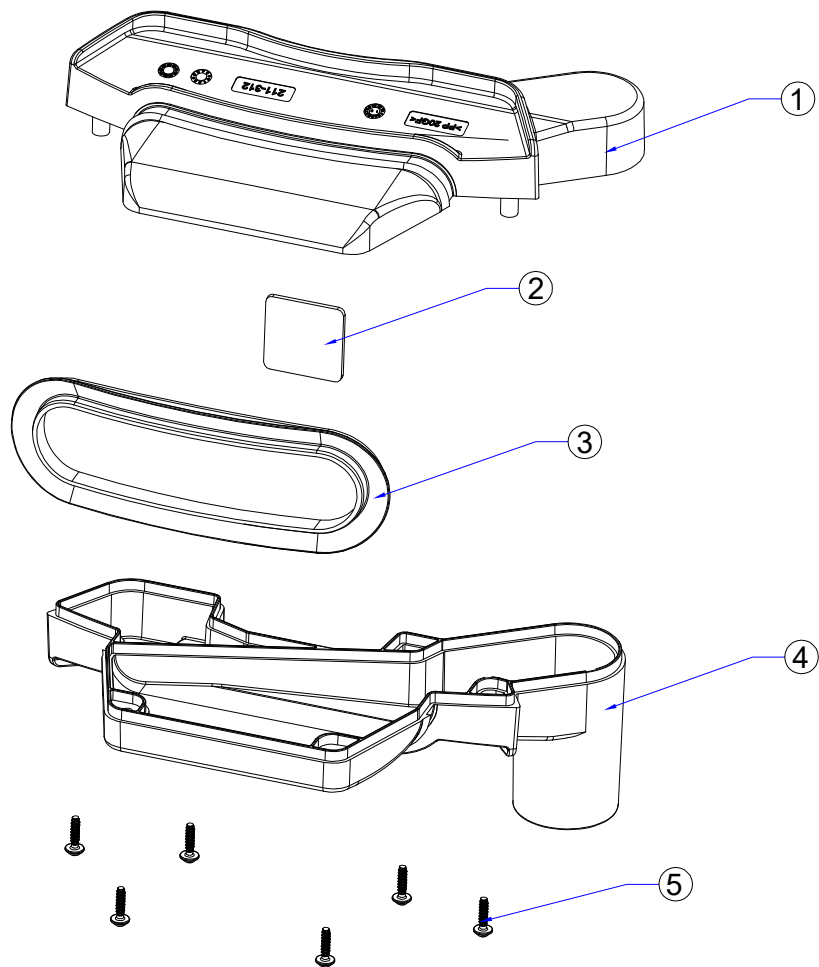


POWER CABLES MUST BE SOLDERED ONTO THE SWITCH CONTACTS

Item	P/N	Description	Qty.
	S.115.0139.0	ASSY CONTROL UNIT POWER SWITCH	
1	115.0139.0	CONTROL UNIT POWER SWITCH	1
2	72.0060.2	POWER SWITCH CONTROL UNIT OMORON	1

TOLERANCE UNSPECIFIED		REMARK:				SMT-FCT DONG GUAN THE FRIENDLY FAMILY 东莞硕能塑胶模具有限公司 ASSEMBLY AND MOULDING OF CLEANING						
LINE	ANGLE	MATERIAL:				APPROVED	CHECKED	DISGNED	REV	A	PART NAME	IMOPLITE FCT WITH MOTOR W/O CHARGRER & BAT BIG
.XXX	±0.005	X	±2°									
.XX	±0.05	.X	±1.5°									
.X	±0.1	.XX	±1°									
.	±0.2	.XXX	±0.5°									
XX	±0.5											
	±1											
SHEET 1 OF 1		DATE		19/Jun/2024		SCALE		1:1		DRAWING NO		A4

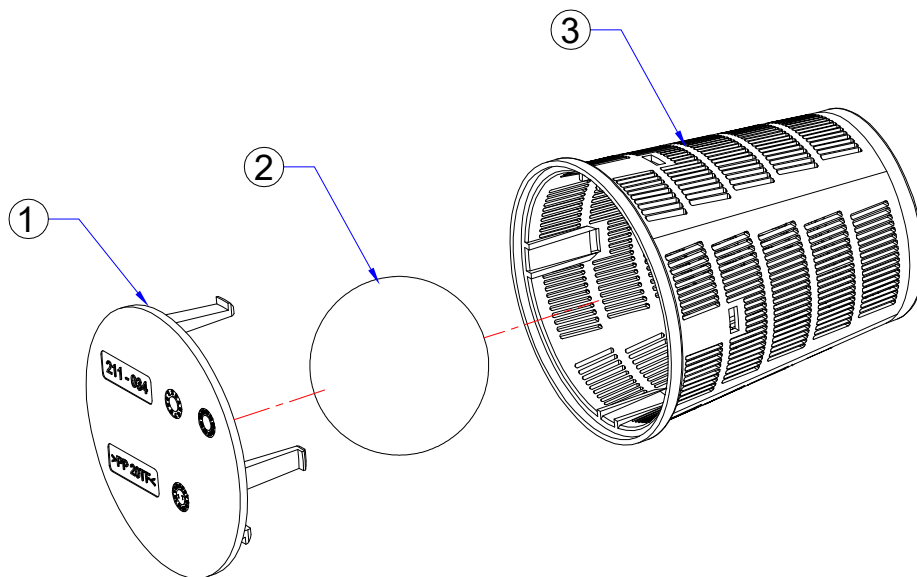
REVISION	DESCRIPTION	REVISED BY	DATE
A	FIRST RELEASE	CONNIE	11/Jan/2022
B	SECOND RELEASE	YANG	19/Jun/2024



Item	P/N	Description	Qty.
	S.115.0246.2	ASSY HOSE CONNECTOR HOLDER BOTTOM	
1	115.0246.2	HOSE CONNECTOR HOLDER TOP	1
2	115.0132.0B	HOSE CONNECTOR HOLDER PLATE	1
3	115.1131.0B	HOSE CONNECTOR HOLDER SEAL	1
4	115.0247.2	HOSE CONNECTOR HOLDER BOTTOM	1
5	115.0011.0	EJOT PT SCREW WN 5451 30X10	6

TOLERANCE UNSPECIFIED		REMARK:		SMT FCT DONG GUAN THE FRIENDLY FAMILY																																																					
LINE	ANGLE			东莞硕能塑胶模具有限公司 ASSEMBLY AND MOULDING OF CLEANING																																																					
.XXX	±0.005	X	±2°	<table border="1"> <tr> <td colspan="2">MATERIAL:</td> <td>APPROVED</td> <td>CHECKED</td> <td>DISGNED</td> <td>REV</td> <td>A</td> <td>PART NAME</td> <td>IMOPLITE FCT WITH MOTOR W/O CHARGRER & BAT BIG</td> <td></td> </tr> <tr> <td>.XX</td> <td>±0.05</td> <td>.X</td> <td>±1.5°</td> <td></td> <td></td> <td></td> <td>PART NO</td> <td>IMOPLT.FCT.1100B2/1</td> <td>SIZE</td> </tr> <tr> <td>.X</td> <td>±0.1</td> <td>.XX</td> <td>±1°</td> <td></td> <td></td> <td></td> <td>DRAWING NO</td> <td></td> <td>A4</td> </tr> <tr> <td>.</td> <td>±0.2</td> <td>.XXX</td> <td>±0.5°</td> <td></td> <td></td> <td></td> <td></td> <td></td> <td></td> </tr> <tr> <td>XX</td> <td>±0.5</td> <td></td> <td></td> <td></td> <td></td> <td></td> <td></td> <td></td> <td></td> </tr> </table>				MATERIAL:		APPROVED	CHECKED	DISGNED	REV	A	PART NAME	IMOPLITE FCT WITH MOTOR W/O CHARGRER & BAT BIG		.XX	±0.05	.X	±1.5°				PART NO	IMOPLT.FCT.1100B2/1	SIZE	.X	±0.1	.XX	±1°				DRAWING NO		A4	.	±0.2	.XXX	±0.5°							XX	±0.5								
MATERIAL:		APPROVED	CHECKED					DISGNED	REV	A	PART NAME	IMOPLITE FCT WITH MOTOR W/O CHARGRER & BAT BIG																																													
.XX	±0.05	.X	±1.5°								PART NO	IMOPLT.FCT.1100B2/1	SIZE																																												
.X	±0.1	.XX	±1°								DRAWING NO		A4																																												
.	±0.2	.XXX	±0.5°																																																						
XX	±0.5																																																								
.X	±0.1	.XX	±1°																																																						
.	±0.2	.XXX	±0.5°																																																						
XX	±0.5																																																								
	±1																																																								
SHEET 1 OF 1		DATE																																																							

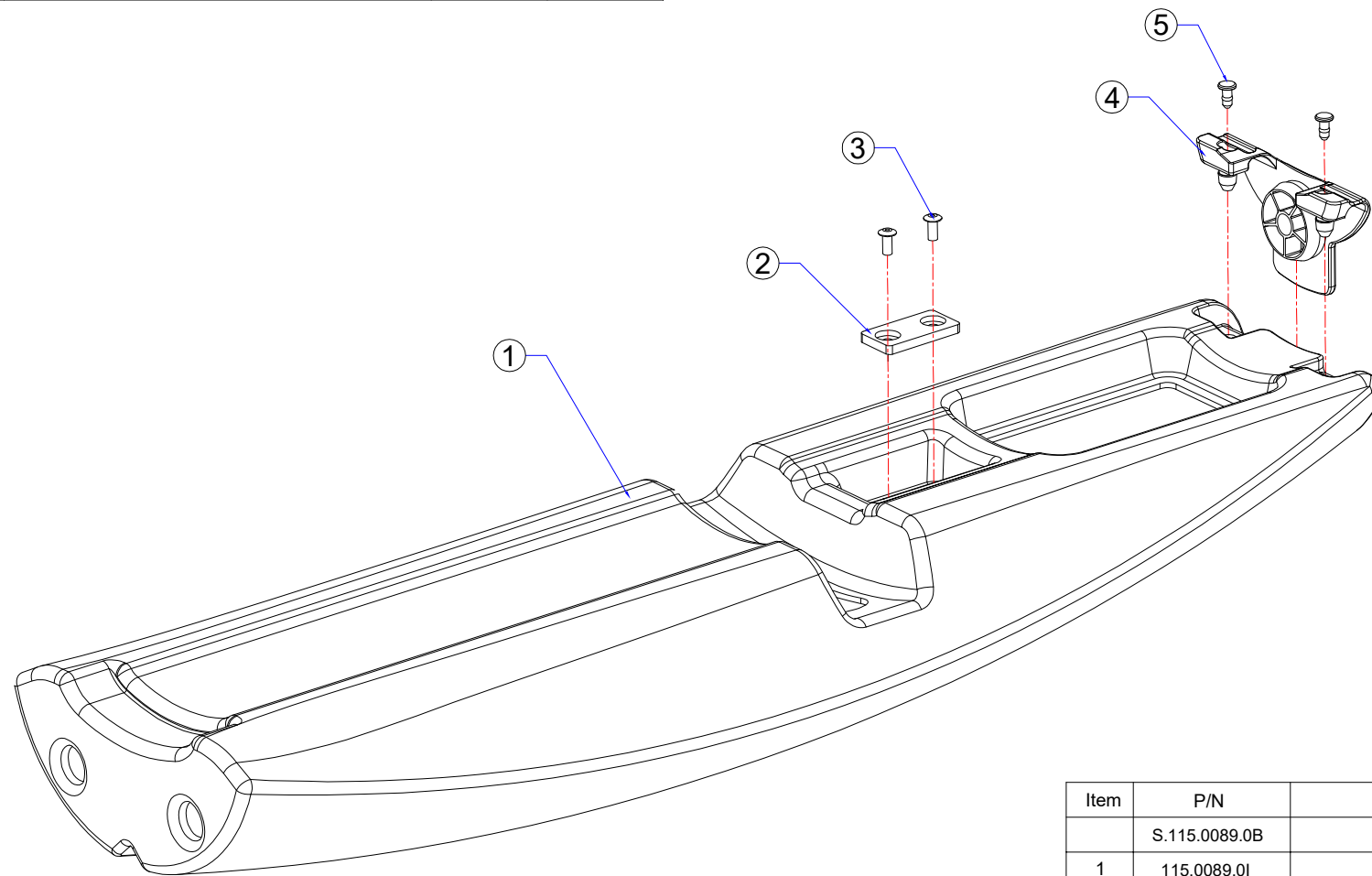
REVISION	DESCRIPTION	REVISED BY	DATE
A	FIRST RELEASE	CONNIE	11/Jan/2022
B	SECOND RELEASE	YANG	19/Jun/2024



Item	P/N	Description	Qty.
	S.115.0153.797	ASSY HOLLOW BALL 38	
1	115.0152.797A	TOP UNIT FLOAT BOTTOM BLUE P312C	1
2	115.0153.2	WHITE HOLLOW BALL 38	1
3	115.0154.797A	BLUE P312C TOP UNIT FLOAT HOUSING	1

TOLERANCE UNSPECIFIED		REMARK:		SMT-FCT DONG GUAN THE FRIENDLY FAMILY 东莞硕能塑胶模具有限公司 ASSEMBLY AND MOULDING OF CLEANING							
LINE	ANGLE	MATERIAL:									
.XXX	±0.005	X	±2°	APPROVED	CHECKED	DISGNED	REV	A	PART NAME	IMOPLITE FCT WITH MOTOR W/O CHARGRER & BAT BIG	
.XX	±0.05	.X	±1.5°			YANG	UNIT	MM	PART NO	IMOPLT.FCT.1100B2/1	SIZE
.X	±0.1	.XX	±1°				SCALE	1:1	DRAWING NO		A4
.	±0.2	.XXX	±0.5°								
XX	±0.5										
	±1										
SHEET 1 OF 1		DATE		19/Jun/2024							

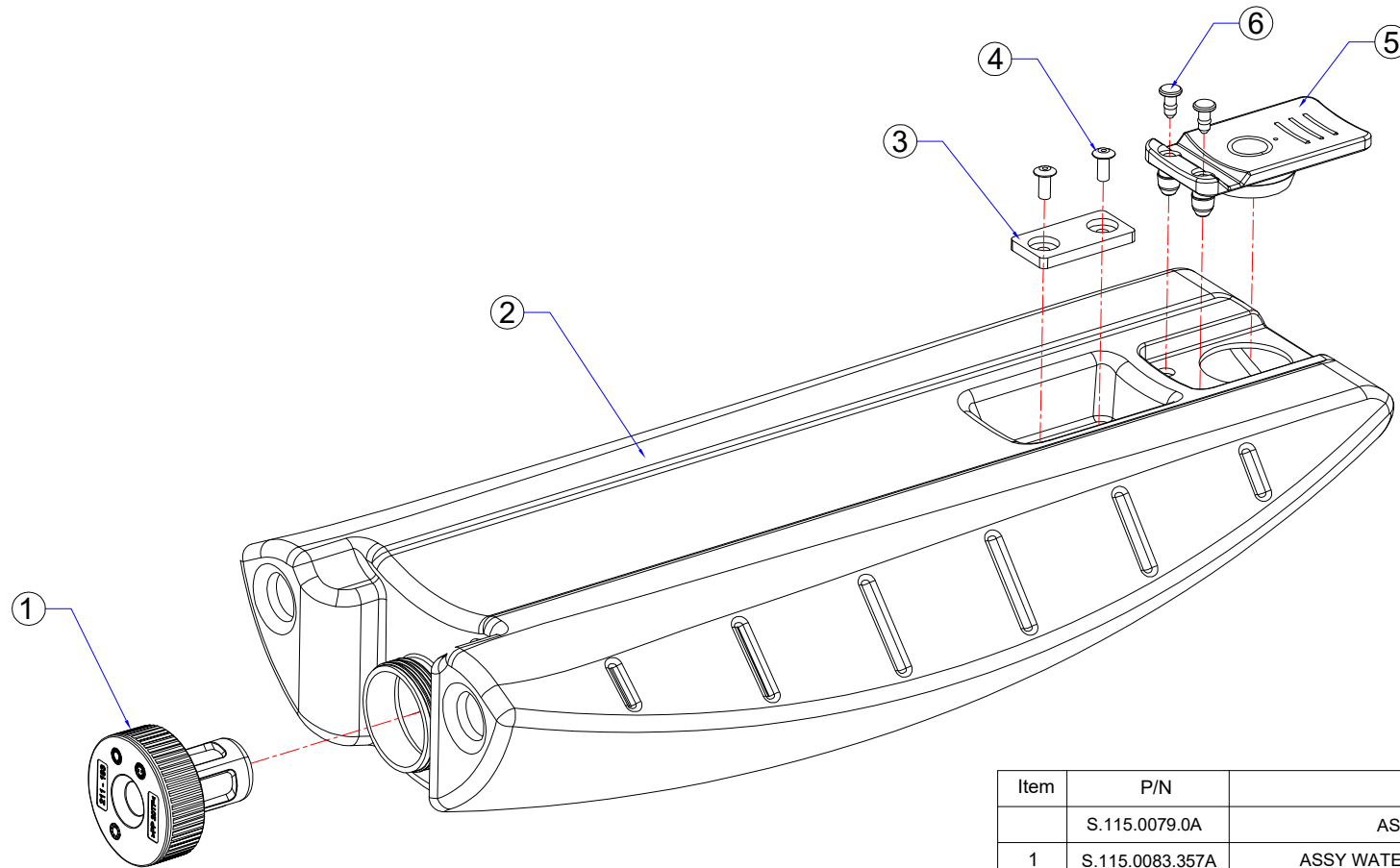
REVISION	DESCRIPTION	REVISED BY	DATE
A	FIRST RELEASE	CONNIE	11/Jan/2022
B	SECOND RELEASE	YANG	19/Jun/2024



Item	P/N	Description	Qty.
	S.115.0089.0B	ASSY VACUUM TANK	
1	115.0089.0I	VACUUM TANK + PRINT	1
2	115.0080.0C	TANK HOLDER PLATE	1
3	115.0194.0	CLOSED RIVET 4X10	2
4	115.0190.0	VACUUM TANK OPENING COVER	1
5	115.0181.0A	PRESS STUD	2

TOLERANCE UNSPECIFIED		REMARK:		<p align="center">SMT-FCT DONG GUAN THE FRIENDLY FAMILY</p> <p align="center">东莞硕能塑胶模具有限公司 ASSEMBLY AND MOULDING OF CLEANING</p>					
LINE	ANGLE	MATERIAL:							
.XXX ±0.005	X ±2°	APPROVED	CHECKED	DISGNED	REV	A	PART NAME	IMOPLITE FCT WITH MOTOR W/O CHARGRER & BAT BIG	
.XX ±0.05	.X ±1.5°			YANG	UNIT	MM	PART NO	IMOPLT.FCT.1100B2/1	SIZE
.X ±0.1	.XX ±1°			19/Jun/2024	SCALE	1:1	DRAWING NO		A4
. ±0.2	.XXX ±0.5°	SHEET 1 OF 1		DATE					
XX ±0.5	±1								

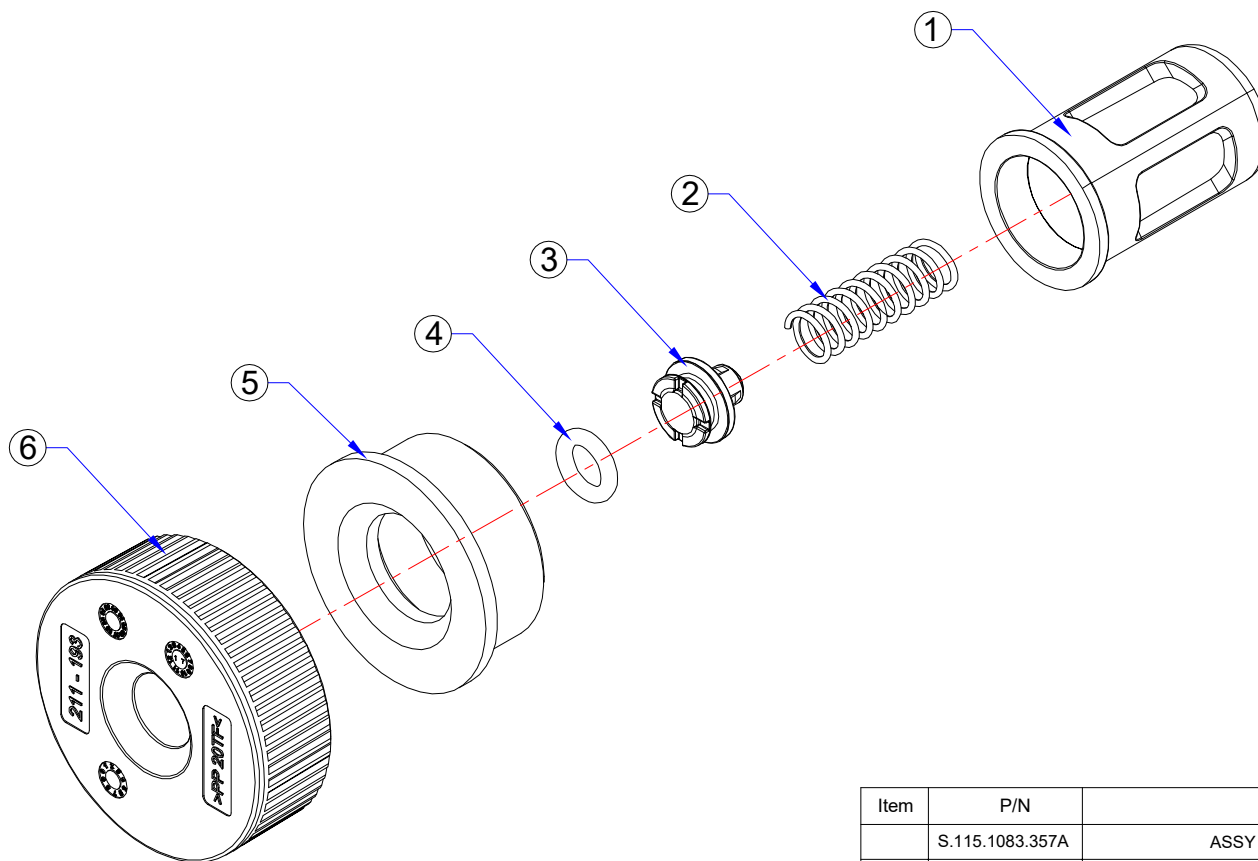
REVISION	DESCRIPTION	REVISED BY	DATE
A	FIRST RELEASE	CONNIE	11/Jan/2022
B	SECOND RELEASE	YANG	19/Jun/2024



Item	P/N	Description	Qty.
	S.115.0079.0A	ASSY FRESH WATER TANK	
1	S.115.0083.357A	ASSY WATER CONNECTOR FEMALE FILTER	1
2	115.0079.0L	FRESH WATER TANK + PRINT	1
3	115.0080.0C	TANK HOLDER PLATE	1
4	115.0194.0	CLOSED RIVET 4X10	2
5	115.1081.0D	FRESH WATER TANK OPENING COVER	1
6	115.0181.0A	PRESS STUD	2

TOLERANCE UNSPECIFIED		REMARK:		<p style="text-align: center;">SMT-FCT DONG GUAN THE FRIENDLY FAMILY</p> <p style="text-align: center;">东莞硕能塑胶模具有限公司 ASSEMBLY AND MOULDING OF CLEANING</p>					
LINE	ANGLE	MATERIAL:							
.XXX ±0.005	X ±2°	APPROVED	CHECKED	DISGNED	REV	A	PART NAME	IMOPLTE FCT WITH MOTOR W/O CHARGRER & BAT BIG	
.XX ±0.05	.X ±1.5°			YANG	UNIT	MM	PART NO	IMOPLT.FCT.1100B2/1	SIZE
.X ±0.1	.XX ±1°				SCALE	1:1	DRAWING NO		A4
. ±0.2	.XXX ±0.5°								
XX ±0.5	±1								
SHEET 1 OF 1		DATE		19/Jun/2024					

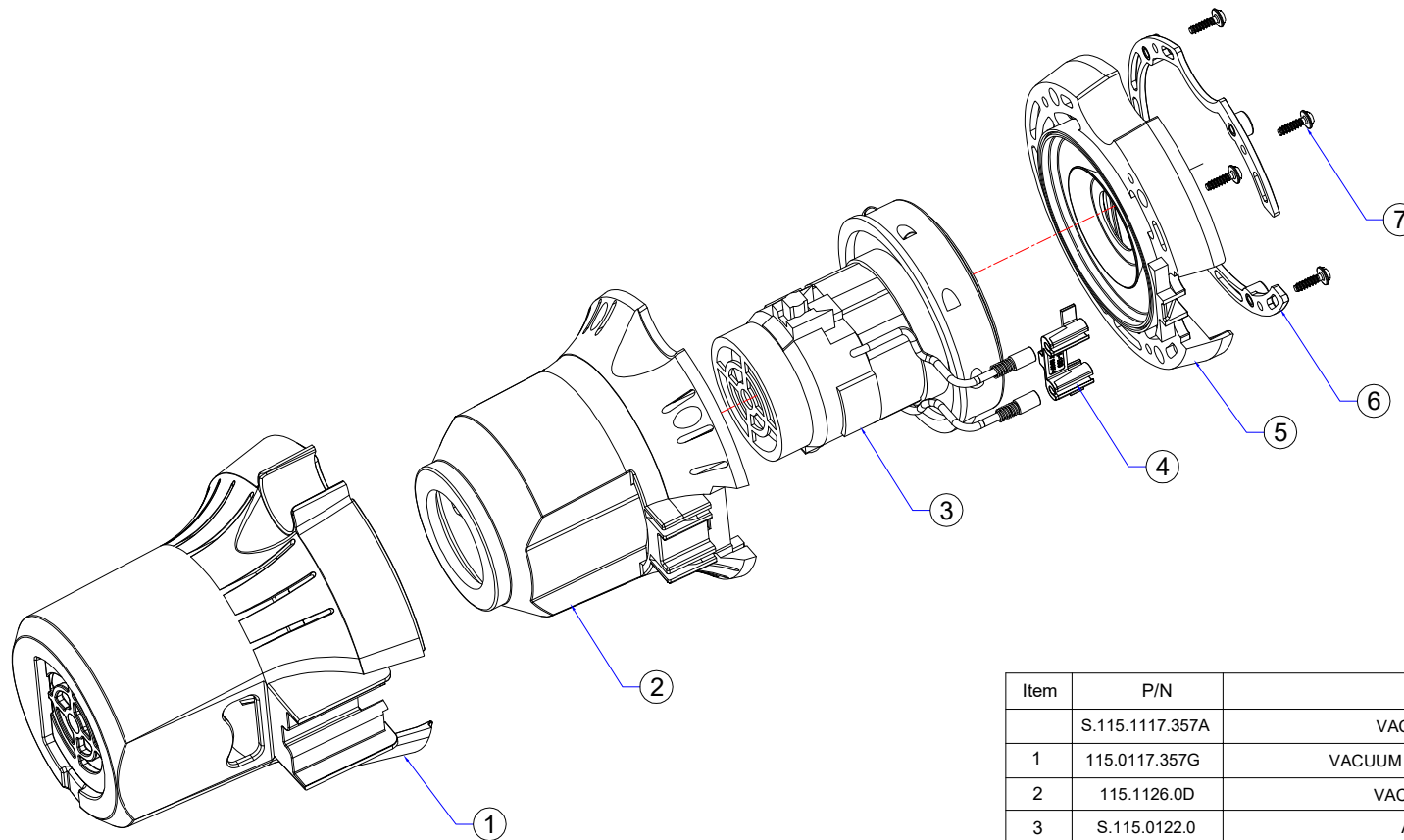
REVISION	DESCRIPTION	REVISED BY	DATE
A	FIRST RELEASE	CONNIE	11/Jan/2022
B	SECOND RELEASE	YANG	19/Jun/2024



Item	P/N	Description	Qty.
	S.115.1083.357A	ASSY WATER CONNECTOR FEMALE FILTER	
1	115.0083.357D	WATER CONNECTOR FEMALE FILTER	1
2	115.0085.0	COMPRESSION SPRING 7X9X28.5	1
3	115.0087.0B	WATER CONNECTOR FEMALE VALVE	1
4	115.0210.67	O-RING 7X2.5 FKM	1
5	115.1088.0B	WATER CONNECTOR FEMALE RUBBER	1
6	115.0086.2D	WATER CONNECTOR FEMALE CAP WHITE	1

TOLERANCE UNSPECIFIED		REMARK:		<p style="text-align: center;">SMT FCT DONG GUAN THE FRIENDLY FAMILY</p> <p style="text-align: center;">东莞硕能塑胶模具有限公司 ASSEMBLY AND MOULDING OF CLEANING</p>					
LINE	ANGLE	MATERIAL:							
.XXX ±0.005	X ±2°	APPROVED	CHECKED	DISGNED	REV	A	PART NAME	IMOPLITE FCT WITH MOTOR W/O CHARGRER & BAT BIG	SIZE
.XX ±0.05	.X ±1.5°			YANG	UNIT	MM	PART NO	IMOPLT.FCT.1100B2/1	A4
.X ±0.1	.XX ±1°				SCALE	1:1	DRAWING NO		
. ±0.2	.XXX ±0.5°								
XX ±0.5									
±1									
SHEET 1 OF 1		DATE		19/Jun/2024					

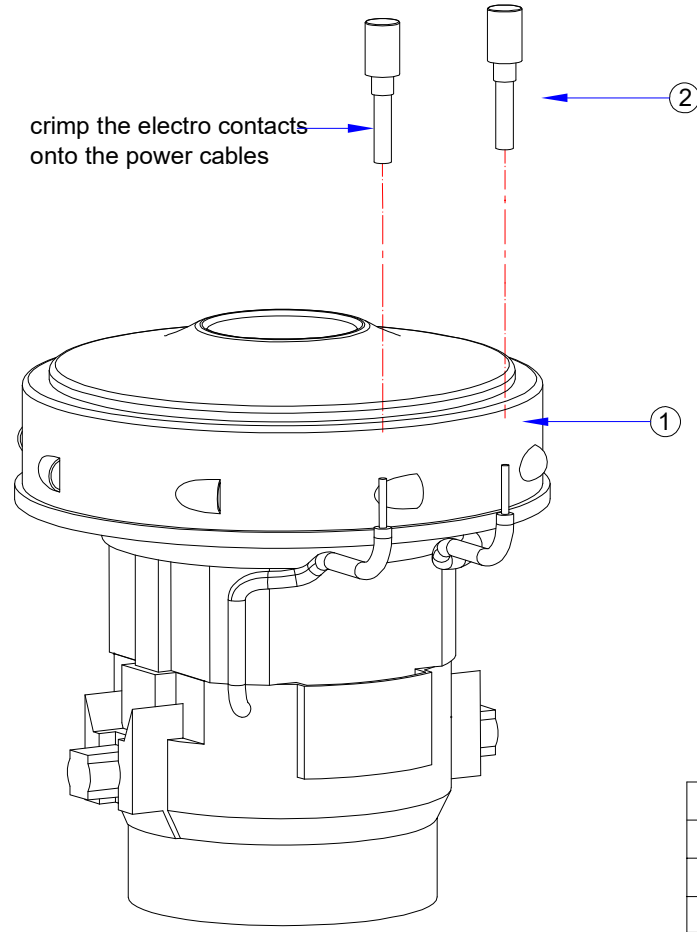
REVISION	DESCRIPTION	REVISED BY	DATE
A	FIRST RELEASE	CONNIE	11/Jan/2022
B	SECOND RELEASE	YANG	19/Jun/2024



Item	P/N	Description	Qty.
	S.115.1117.357A	VACUUM MOTOR HOISING BOTTOM	
1	115.0117.357G	VACUUM MOTOR HOISING BOTTOM GREY P431	1
2	115.1126.0D	VACUUM MOTOR BOTTOM RUBBER	1
3	S.115.0122.0	ASSY VACUUM MOTOR J24V200W	1
4	115.0124.0C	VACUUM MOTOR ELECTRO CONTACT BLOCK	1
5	115.1125.0B	VACUUM MOTOR TOP RUBBER	1
6	115.0119.357B	VACUUM MOOTOR BRACKET GREY P431C	1
7	115.0120.0	EJOT PT SCREW WN 5451 40X14	4

TOLERANCE UNSPECIFIED		REMARK:			<p style="text-align: center;">SMT-FCT DONG GUAN THE FRIENDLY FAMILY</p> <p style="text-align: center;">东莞硕能塑胶模具有限公司 ASSEMBLY AND MOULDING OF CLEANING</p>			
LINE	ANGLE	MATERIAL:						
.XXX ±0.005	X ±2°	APPROVED	CHECKED	DISGNED	REV	A	PART NAME	IMOPLITE FCT WITH MOTOR W/O CHARGER & BAT BIG
.XX ±0.05	.X ±1.5°			YANG	UNIT	MM	PART NO	IMOPLT.FCT.1100B2/1
.X ±0.1	.XX ±1°				SCALE	1:1	DRAWING NO	SIZE
. ±0.2	.XXX ±0.5°							A4
XX ±0.5								
±1								
SHEET 1 OF 1	DATE			19/Jun/2024				

REVISION	DESCRIPTION	REVISED BY	DATE
A	FIRST RELEASE	CONNIE	11/Jan/2022
B	SECOND RELEASE	YANG	19/Jun/2024



Item	P/N	Description	Qty.
	S.115.0122.0	ASSY VACUUM MOTOR J24V200W	
1	115.0122.0B	VACUUM MOTOR J24V200W	1
2	S.115.0357.0	ASSY POGOPIN 10A NICKEL PLATED	2

TOLERANCE UNSPECIFIED		REMARK:		 东莞硕能塑胶模具有限公司 ASSEMBLY AND MOULDING OF CLEANING					
LINE	ANGLE	MATERIAL:							
.XXX ±0.005	X ±2°	APPROVED	CHECKED	DISGNED	REV	A	PART NAME	IMOPLITE FCT WITH MOTOR W/O CHARGRER & BAT BIG	
.XX ±0.05	.X ±1.5°			YANG	UNIT	MM	PART NO	IMOPLT.FCT.1100B2/1	SIZE
.X ±0.1	.XX ±1°				SCALE	1:1	DRAWING NO		A4
. ±0.2	.XXX ±0.5°								
XX ±0.5									
±1									
SHEET 1 OF 1		DATE							

A
B
C
D
E

REVISION	DESCRIPTION	REVISED BY	DATE
A	FIRST RELEASE	CONNIE	11/Jan/2022
B	SECOND RELEASE	YANG	19/Jun/2024

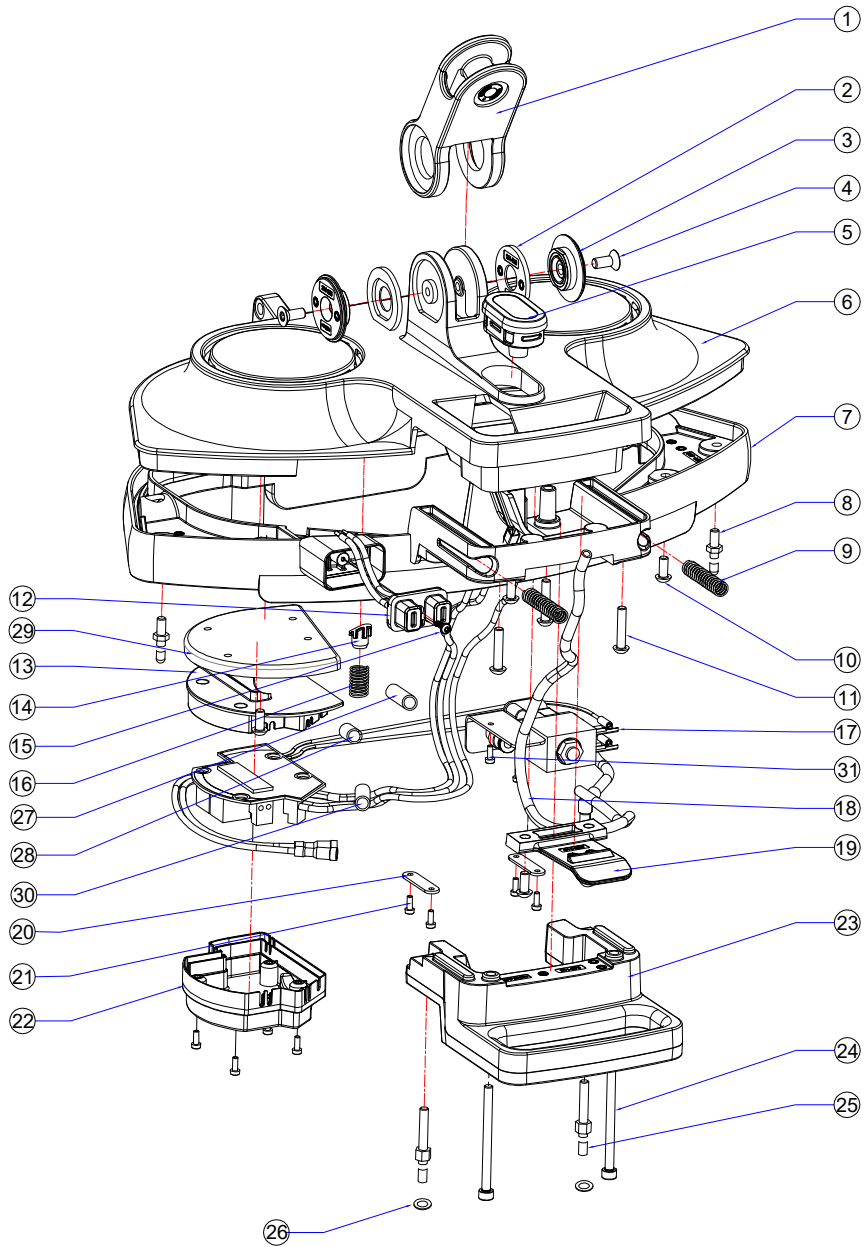
A

B

C

D

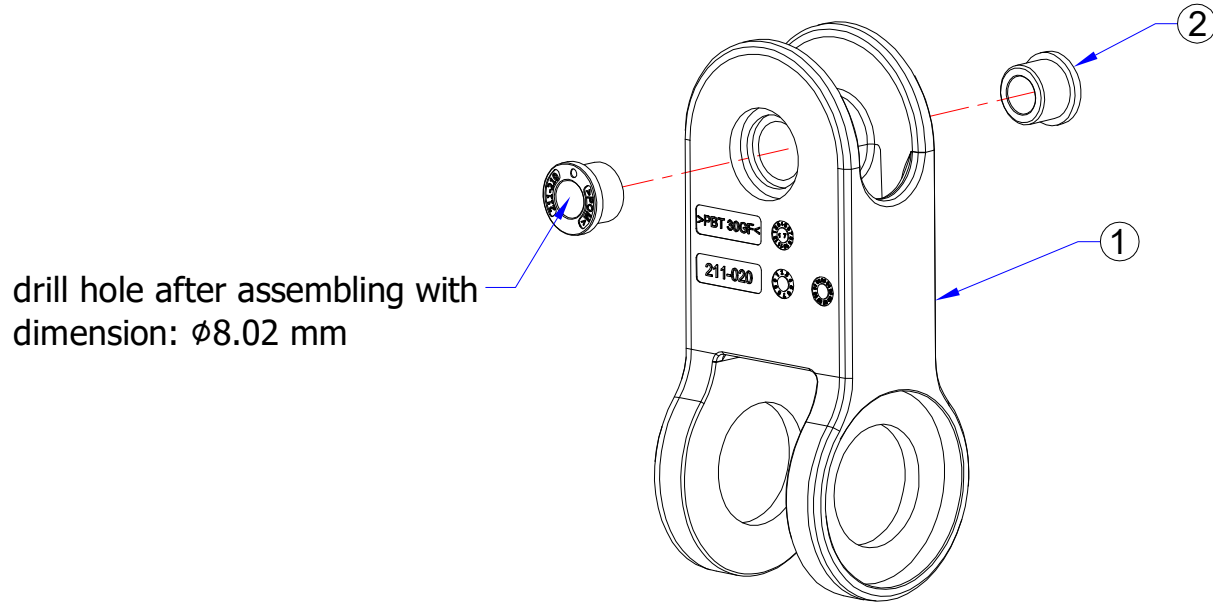
E



Item	P/N	Description	Qty.
	S.115.0041.0	ASSY FLOOR UNIT COMPLETE	
1	S.115.0052.357A	ASSY MAIN HINGE	1
2	115.0057.0A	FLOOR UNIT BEARING DISC	2
3	115.0056.0A	FLOOR UNIT BEARING BUSH	2
4	115.0172.0	SCREW M6X14	2
5	S.115.0159.8	MAGNET SHELL WIRE HOLE	1
6	115.0041.0K	FLOOR UNIT MAIN COVER	1
7	115.0026.2I	PROTECTION BUMPER	1
8	115.0173.0A	SPLASING PROTECTION FIXATION PIN	4
9	115.0042.0A	COMPRESSION SPRING 7X9X45.5	2
10	115.0095.0	CYLINDER ROUND HEAD CAP SCREW M5X12	3
11	115.0043.0	CYLINDER ROUND HEAD CAP SCREW M5X25	1
12	S.115.0028.357	ASSY SPRING CONTACT PCB	1
13	115.0051.2E	ELECTRONIC BOX BOTTOM WHITE	1
14	115.0047.0E	FLOOR UNIT SPRING	1
15	115.0011.0	EJOT PT SCREW WN 5451 30X10	1
16	115.0046.1	FLOOR UNIT SPRING	1
17	S.115.0049.0C	FLOOR UNIT PCB	1
18	115.0112.0	MAIN WATER HOSE	1
19	115.0045.797E	FLOOR UNIT BATTERY PACK CLIP BLUE P312C	1
20	115.0171.0A	CABLE HOLDER PLATE	2
21	115.0037.0	COUNTERSUNK HEAD CAP SCREW TORX M3X8	4
22	115.0050.2B	ELECTRONIC BOX COVER WHITE	1
23	S.115.0160.797	FLOOR UNIT HANDLE GRIP	1
24	115.0178.0A	SOCKET HEAD CAP SCREW TORX M5 x 65	2
25	115.0044.0B	SQUEEGEE FIXATION PIN	2
26	00.0091.0	WASHER STAINLESS M5 5.1X12X1.0	2
27	115.0237.0	MAGNET RING ON VALVE LEAD WIRE V1 801 1 7H	1
28	115.0238.0	AGNET RING ON BATTERY LEAD WIRE B5H T1478	1
29	115.1501.0	WATERPROOF RUBBER OF IMOPLT PCB	1
30	115.0236.0	MAGNET RING ON SIGNAL CABLE B5H BK202315-1	1
31	72.0014.3N/1	NYLOK SCREW COUNTER SUNK BOLT M8X18.5	2

TOLERANCE UNSPECIFIED		REMARK:		SMT = FCT DONG GUAN THE FRIENDLY FAMILY							
LINE	ANGLE	MATERIAL:									
.XXX	±0.005	X	±2°	APPROVED	CHECKED	DISGNED	REV	A	PART NAME	IMOPLITE FCT WITH MOTOR W/O CHARGER & BAT BIG	
.XX	±0.05	.X	±1.5°				UNIT	MM	PART NO	IMOPLT.FCT.1100B2/1	SIZE
.X	±0.1	.XX	±1°				SCALE	1:1	DRAWING NO		A4
.	±0.2	.XXX	±0.5°								
XX	±0.5										
	±1										
SHEET 1 OF 1		DATE		19/Jun/2024							

REVISION	DESCRIPTION	REVISED BY	DATE
A	FIRST RELEASE	CONNIE	11/Jan/2022
B	SECOND RELEASE	YANG	19/Jun/2024



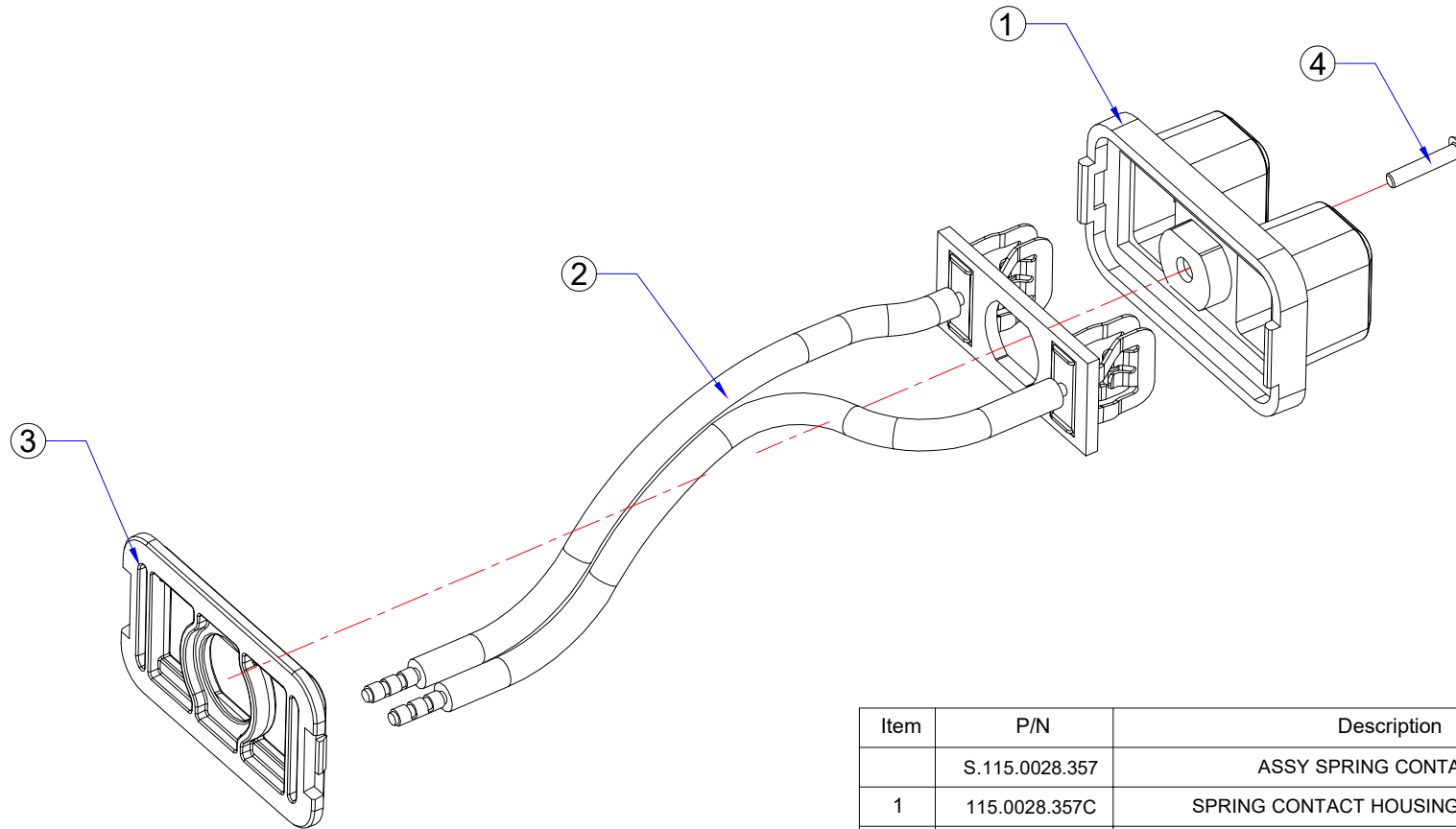
Item	P/N	Description	Qty.
	S.115.0052.357A	ASSY MAIN HINGE	
1	115.0052.357C	MAIN HINGE GREY P431C	1
2	115.0053.0A	Main hinge bearing bush	2

TOLERANCE UNSPECIFIED		REMARK:			SMT-FCT DONG GUAN THE FRIENDLY FAMILY						
LINE	ANGLE	MATERIAL:			APPROVED	CHECKED	DISGNED	REV	A	PART NAME	IMOPLITE FCT WITH MOTOR W/O CHARGRER & BAT BIG
.XXX	± 0.005	X	$\pm 2^\circ$								
.XX	± 0.05	.X	$\pm 1.5^\circ$								
.X	± 0.1	.XX	$\pm 1^\circ$								
.	± 0.2	.XXX	$\pm 0.5^\circ$								
XX	± 0.5										
	± 1										
SHEET 1 OF 1		DATE		19/Jun/2024			SCALE	1:1	DRAWING NO	IMOPLT.FCT.1100B2/1	
				YANG			UNIT	MM	PART NO	SIZE	
										A4	

东莞硕能塑胶模具有限公司
ASSEMBLY AND MOULDING OF CLEANING



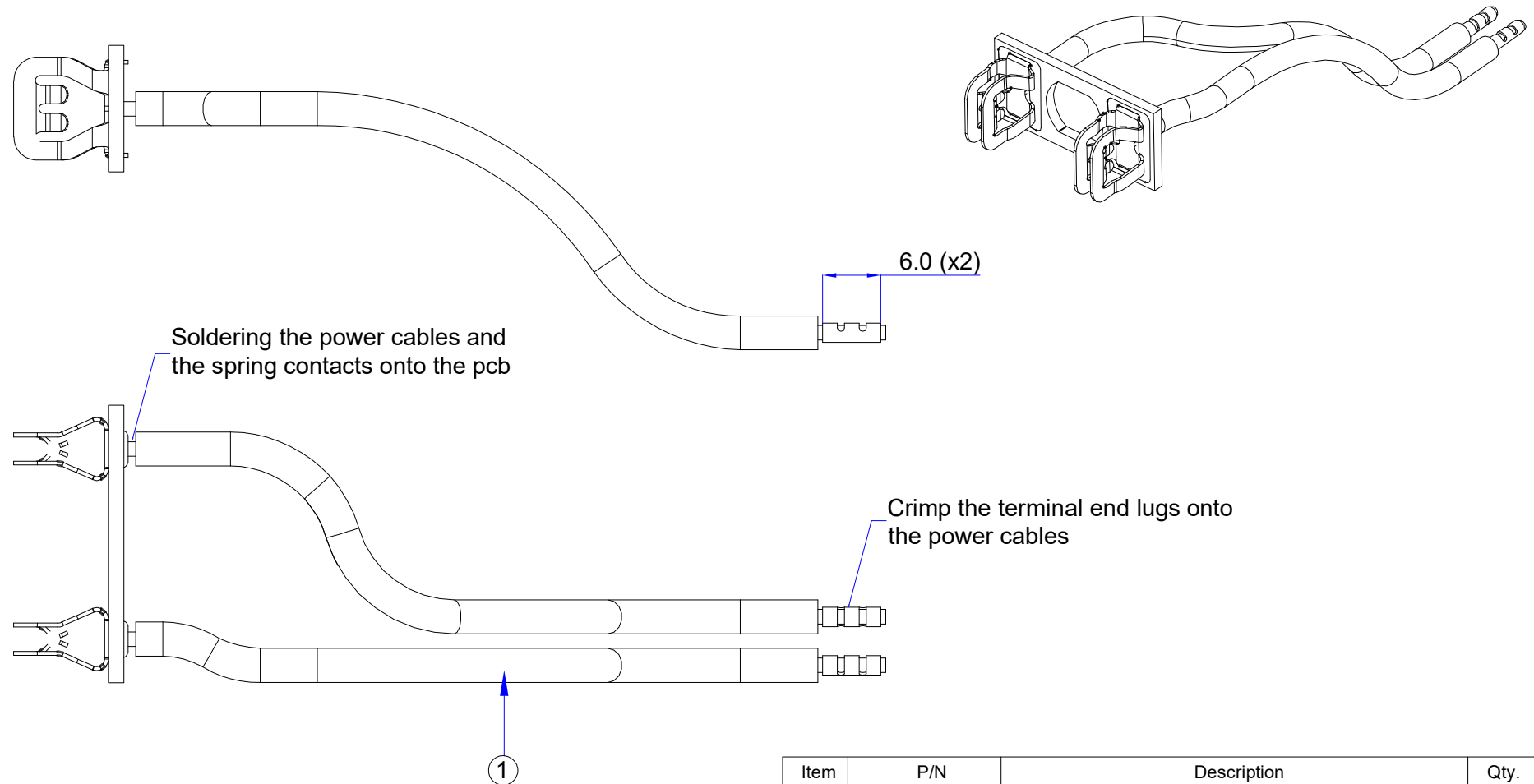
REVISION	DESCRIPTION	REVISED BY	DATE
A	FIRST RELEASE	CONNIE	11/Jan/2022
B	SECOND RELEASE	YANG	19/Jun/2024



Item	P/N	Description	Qty.
	S.115.0028.357	ASSY SPRING CONTACT PCB	
1	115.0028.357C	SPRING CONTACT HOUSING GREY P431C	1
2	S.115.0027.0B	SPRING CONTACT PCB	1
3	115.0029.357B	SPRING CONTACT FRAME GREY P431C	1
4	115.0011.0	EJOT PT SCREW WN 5451 30X10	1

TOLERANCE UNSPECIFIED		REMARK:			<p style="text-align: center;">SMT - FCT DONG GUAN THE FRIENDLY FAMILY</p> <p style="text-align: center;">东莞硕能塑胶模具有限公司 ASSEMBLY AND MOULDING OF CLEANING</p>				
LINE	ANGLE	MATERIAL:							
.XXX ±0.005	X ±2°	APPROVED	CHECKED	DISGNED	REV	A	PART NAME	IMOPLITE FCT WITH MOTOR W/O CHARGER & BAT BIG	
.XX ±0.05	.X ±1.5°			YANG	UNIT	MM	PART NO	IMOPLT.FCT.1100B2/1	
.X ±0.1	.XX ±1°				SCALE	1:1	DRAWING NO	SIZE	
. ±0.2	.XX ±1°								
XX ±0.5	.XXX ±0.5°								
	±1								
SHEET 1 OF 1		DATE			19/Jun/2024				

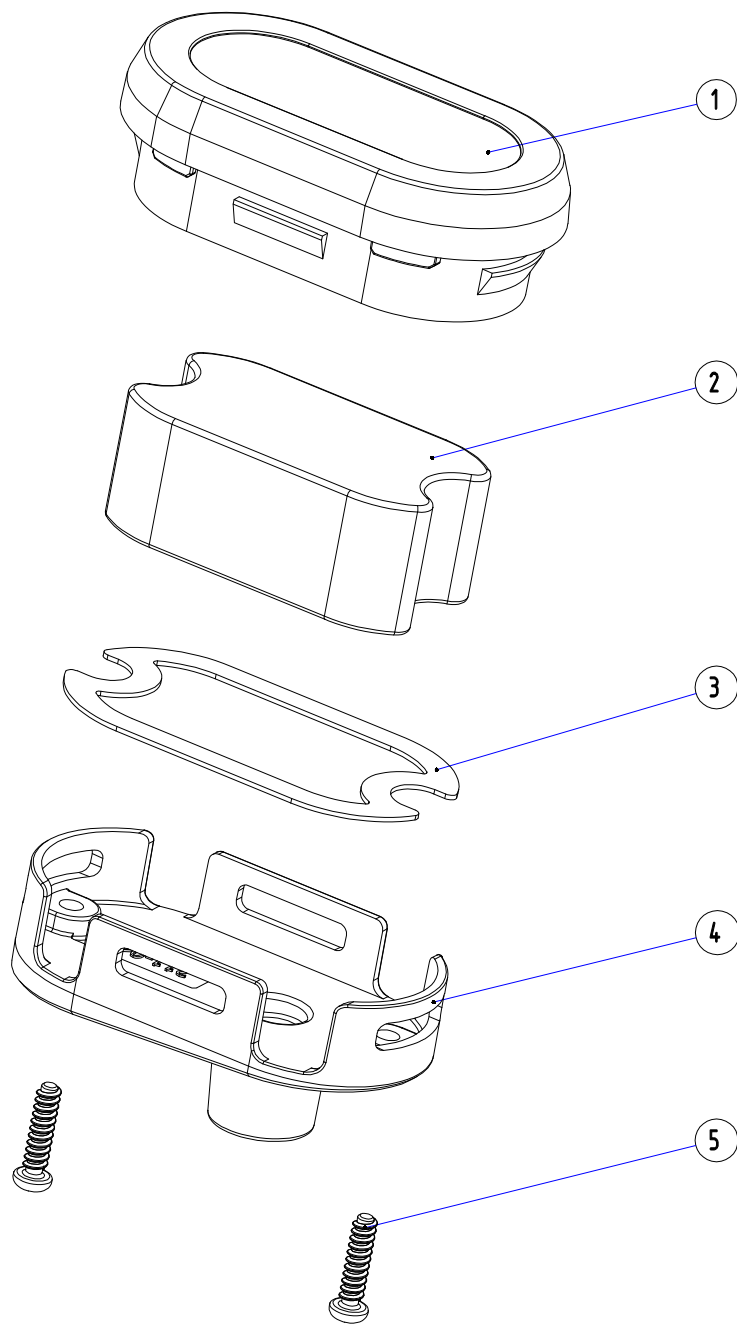
REVISION	DESCRIPTION	REVISED BY	DATE
A	FIRST RELEASE	CONNIE	11/Jan/2022
B	SECOND RELEASE	YANG	19/Jun/2024



Item	P/N	Description	Qty.
	S.115.0027.0B	ASSY SPRING CONTACT PCB	
1	115.0027.0A	SPRING CONTACT PCB	1

TOLERANCE UNSPECIFIED		REMARK:				SMT-FCT DONG GUAN THE FRIENDLY FAMILY 东莞硕能塑胶模具有限公司 ASSEMBLY AND MOULDING OF CLEANING						
LINE	ANGLE	MATERIAL:				APPROVED	CHECKED	DISGNED	REV	A	PART NAME	IMOPLTE FCT WITH MOTOR W/O CHARGRER & BAT BIG
.XXX	±0.005	X	±2°									
.XX	±0.05	.X	±1.5°									
.X	±0.1	.XX	±1°									
.	±0.2	.XXX	±0.5°									
XX	±0.5											
	±1											
SHEET 1 OF 1		DATE						19/Jun/2024	SCALE	1:1	DRAWING NO	SIZE
												A4

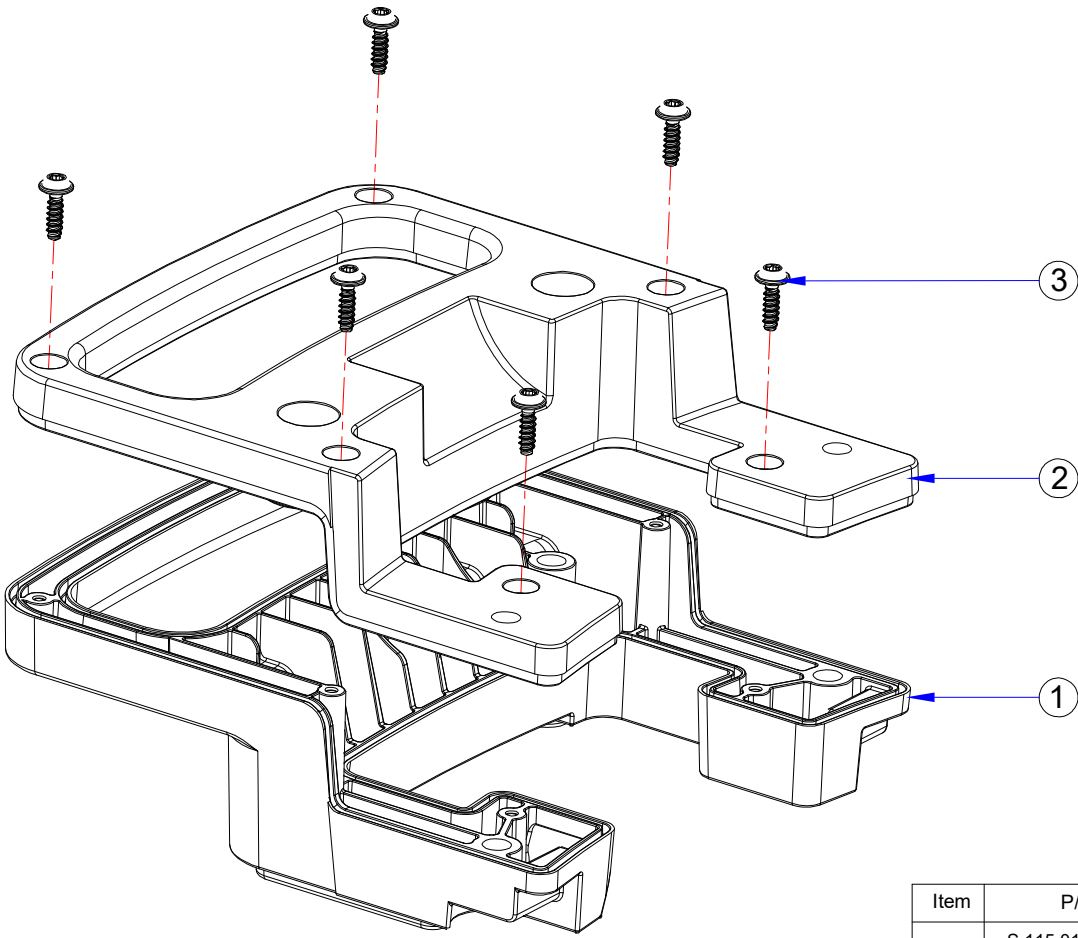
REVISION	DESCRIPTION	REVISED BY	DATE
A	FIRST RELEASE	CONNIE	11/Jan/2022
B	SECOND RELEASE	YANG	19/Jun/2024



Item	P/N	Description	Qty.
	S.115.0159.8B	MAGNET SHELL WIRE HOLE	
1	115.0158.8F	FLOOR UNIT MAGNET COVER YELLOW	1
2	115.0157.0D	ELLIPTICAL MAGNET	1
3	115.0283.0	SEAL FOR MAGNET HANDLE	1
4	115.0159.8E	FLOOR UNIT MAGNET SUPPORT COMPLE	1
5	115.0291.0	CROSS HEAD SCREW 2.5x1 0	2

TOLERANCE UNSPECIFIED		REMARK:		SMT FCT DONG GUAN THE FRIENDLY FAMILY			
LINE	ANGLE			东莞硕能塑胶模具有限公司 ASSEMBLY AND MOULDING OF CLEANING			
.XXX	±0.005	X	±2°	MATERIAL:			
.XX	±0.05	.X	±1.5°	APPROVED	CHECKED	DISGNED	REV
.X	±0.1	.XX	±1°			YANG	A
.	±0.2	.XXX	±0.5°				UNIT
XX	±0.5						MM
	±1						PART NAME
SHEET 1 OF 1		DATE					IMOPLITE FCT WITH MOTOR W/O CHARGRER & BAT BIG
		19/Jun/2024					IMOPLT.FCT.1100B2/1
							SIZE
							A4

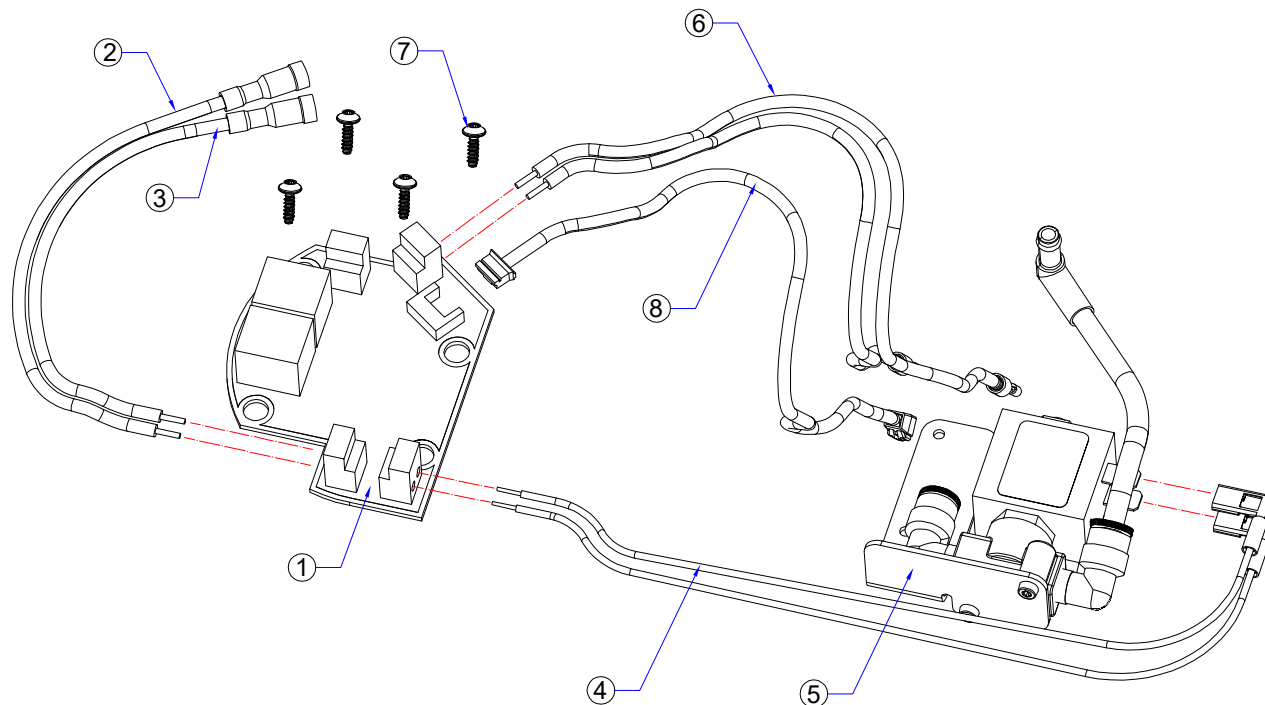
REVISION	DESCRIPTION	REVISED BY	DATE
A	FIRST RELEASE	CONNIE	11/Jan/2022
B	SECOND RELEASE	YANG	19/Jun/2024



Item	P/N	Description	Qty.
	S.115.0160.797	FLOOR UNIT HANDLE GRIP	
1	115.0161.797	FLOOR UNIT HANDLE GRIP BOTTOM	1
2	115.0160.797	FLOOR UNIT HANDLE GRIP TOP	1
3	115.0011.0	EJOT PT SCREW WN 5451 30X10	6

TOLERANCE UNSPECIFIED		REMARK:		<p style="text-align: center;">SMT-FCT DONG GUAN THE FRIENDLY FAMILY</p> <p style="text-align: center;">东莞硕能塑胶模具有限公司 ASSEMBLY AND MOULDING OF CLEANING</p>					
LINE	ANGLE	MATERIAL:							
.XXX ±0.005	X ±2°	APPROVED	CHECKED	DISGNED	REV	A	PART NAME	IMOPLITE FCT WITH MOTOR W/O CHARGRER & BAT BIG	
.XX ±0.05	.X ±1.5°			YANG	UNIT	MM	PART NO	IMOPLT.FCT.1100B2/1	SIZE
.X ±0.1	.XX ±1°				SCALE	1:1	DRAWING NO		A4
. ±0.2	.XXX ±0.5°								
XX ±0.5	±1								
SHEET 1 OF 1		DATE		19/Jun/2024					

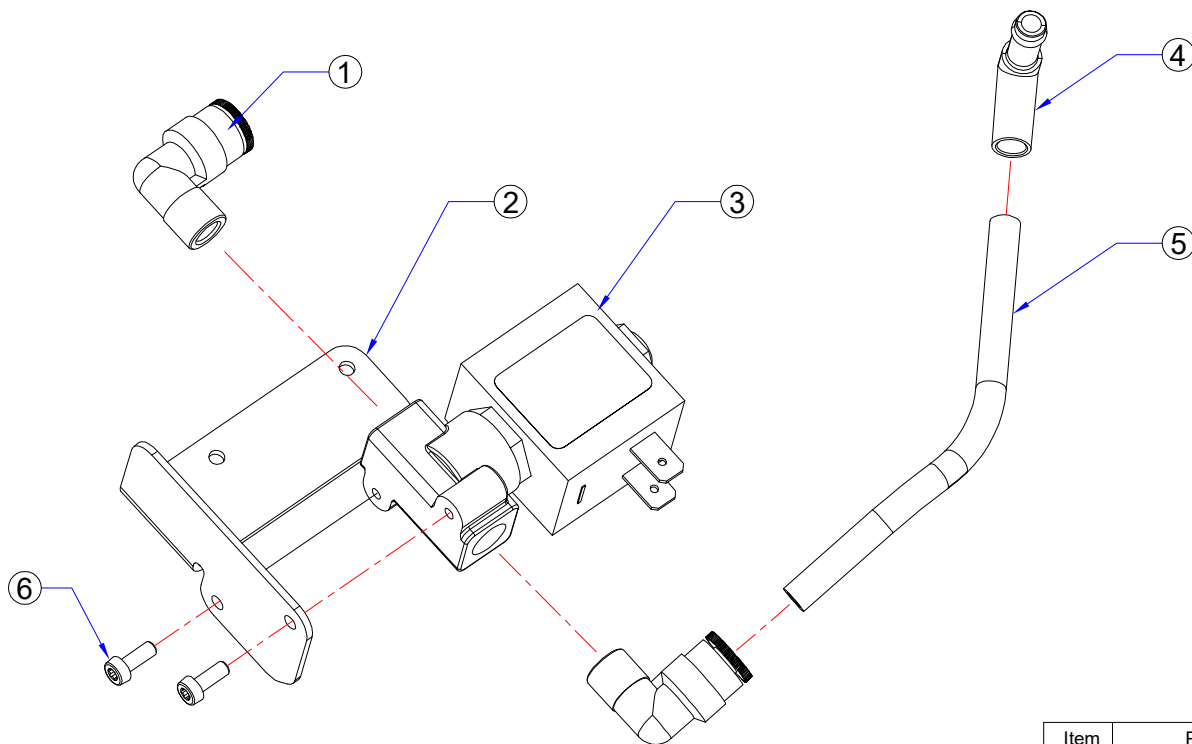
REVISION	DESCRIPTION	REVISED BY	DATE
-	FIRST RELEASE	CONNIE	18/Jun/2020
A	ADDED THE PART No. 115.0148.0	CONNIE	11/Jan/2022
B	SECOND RELEASE	YANG	19/Jun/2024



Item	P/N	Description	Qty.
	S.115.0049.0C	FLOOR UNIT PCB	
1	115.0049.0A	FLOOR UNIT PCB WITH SOFT START COMPLETE	1
2	115.0146.0	CONNECTING DRIVE MOTOR LINE RED	1
3	115.0145.0	CONNECTING DRIVE MOTOR LINE BLACK	1
4	115.0149.0A	SOLENOID CABLE BLACK COMPLETE	1
5	S.115.0038.0	ASSY SOLENOID PARKER N74.4 FV	1
6	S.115.0147.0A	ASSY I-MOP LITE FLOOR UNIT CABLE LINGTH 40MM	1
7	115.0037.0	COUNTERSUNK HEAD CAP SCREW TORX M3X8	4
8	115.0148.0	FLOOR UNIT CONTROL CABLE BLACK	1

TOLERANCE UNSPECIFIED		REMARK:									
LINE	ANGLE	MATERIAL:				ASSEMBLY AND MOULDING OF CLEANING					
.XXX	±0.005	X	±2°	APPROVED	CHECKED	DISGNED	REV	A	PART NAME	IMOPLITE FCT WITH MOTOR W/O CHARGRER & BAT BIG	
.XX	±0.05	.X	±1.5°			YANG	UNIT	MM	PART NO	IMOPLT.FCT.1100B2/1	SIZE
.X	±0.1	.XX	±1°				SCALE	1:1	DRAWING NO		A4
.	±0.2	.XXX	±0.5°								
XX	±0.5										
	±1										
SHEET 1 OF 1		DATE		19/Jun/2024		SCALE		1:1		DRAWING NO	

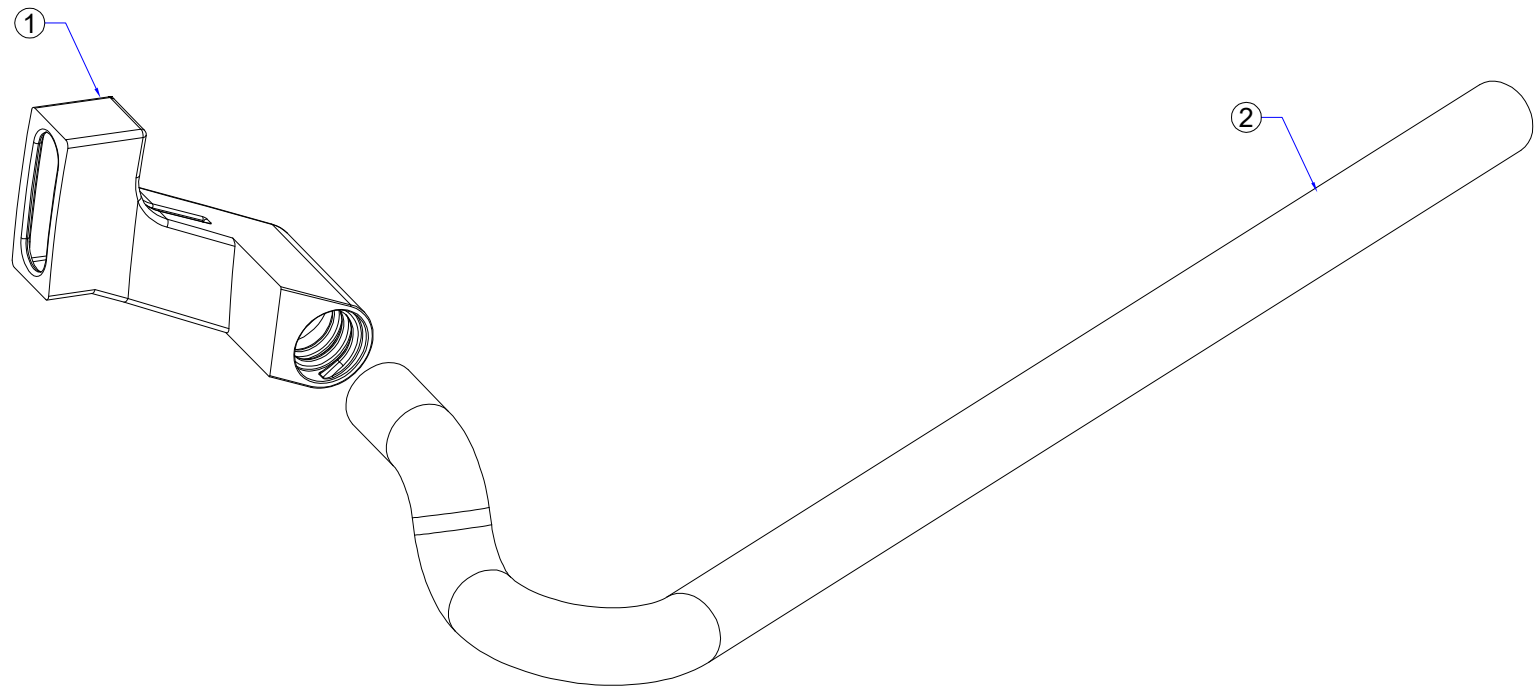
REVISION	DESCRIPTION	REVISED BY	DATE
A	FIRST RELEASE	CONNIE	11/Jan/2022
B	SECOND RELEASE	YANG	19/Jun/2024



Item	P/N	Description	Qty.
	S.115.0038.0	ASSY SOLENOID PARKER N74.4 FV	
1	115.0035.0	ANGLE METAL CONNECTOR	2
2	115.0038.0A	SOLENOID FIXATION PLATE	1
3	72.0026.6	MAGETIC VALVE PARKER	1
4	115.0024.357C	DRIVE MODULE WATER COUPLING GREY P431C	1
5	115.0022.0	DRIVE MODULE HOSE EXTERNAL	1
6	115.0037.0	COUNTERSUNK HEAD CAP SCREW TORX M3X8	4

TOLERANCE UNSPECIFIED		REMARK:		<p style="text-align: center;">SMT-FCT DONG GUAN THE FRIENDLY FAMILY 东莞硕能塑胶模具有限公司 ASSEMBLY AND MOULDING OF CLEANING</p>					
LINE	ANGLE	MATERIAL:							
.XXX ±0.005	X ±2°	APPROVED	CHECKED	DISGNED	REV	A	PART NAME	IMOPLITE FCT WITH MOTOR W/O CHARGRER & BAT BIG	
.XX ±0.05	.X ±1.5°			YANG	UNIT	MM	PART NO	IMOPLT.FCT.1100B2/1	SIZE
.X ±0.1	.XX ±1°				SCALE	1:1	DRAWING NO		A4
. ±0.2	.XXX ±0.5°	SHEET 1 OF 1		DATE					
XX ±0.5				19/Jun/2024					
±1									

REVISION	DESCRIPTION	REVISED BY	DATE
A	FIRST RELEASE	CONNIE	11/Jan/2022
B	SECOND RELEASE	YANG	19/Jun/2024



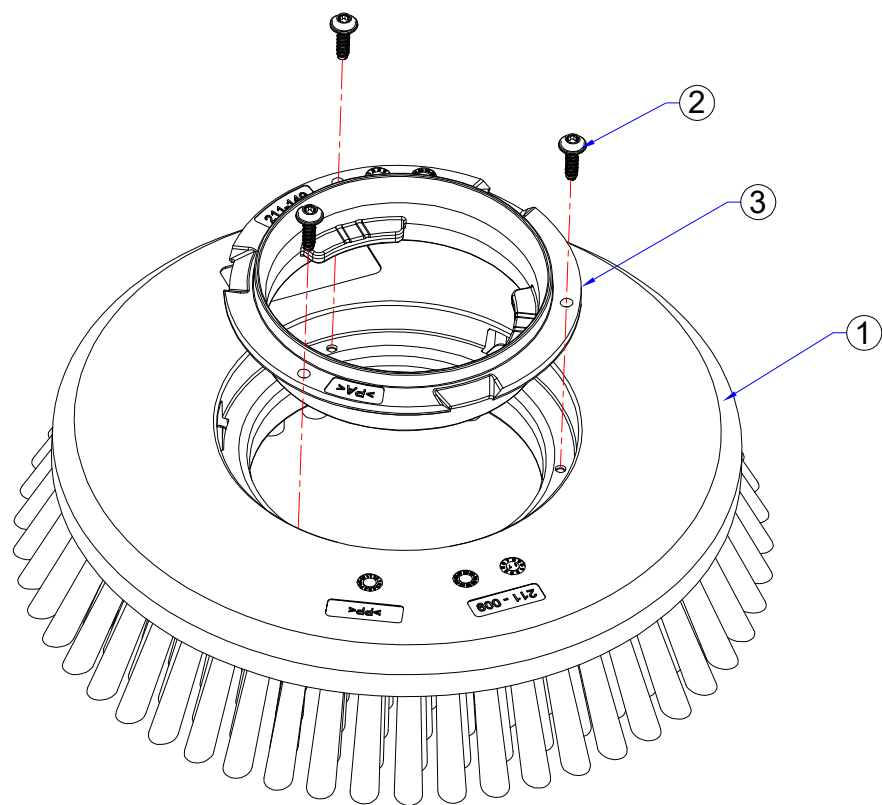
Item	P/N	Description	Qty.
	S.115.1059.0	ASSY MAIN SUCTION HOSE	
1	115.1201.0C	FLOOR UNIT SQUEEGEE HOSE CONNECTOR CW	1
2	115.0059.0	MAIN SUCTION HOSE	1

TOLERANCE UNSPECIFIED		REMARK:		SMT-FCT DONG GUAN THE FRIENDLY FAMILY 东莞硕能塑胶模具有限公司 ASSEMBLY AND MOULDING OF CLEANING					
LINE	ANGLE	MATERIAL:							
.XXX ±0.005	X ±2°	APPROVED	CHECKED	DISGNED	REV	A	PART NAME	IMOPLTE FCT WITH MOTOR W/O CHARGRER & BAT BIG	
.XX ±0.05	.X ±1.5°			YANG	UNIT	MM	PART NO	IMOPLT.FCT.1100B2/1	SIZE
.X ±0.1	.XX ±1°				SCALE	1:1	DRAWING NO		A4
. ±0.2	.XXX ±0.5°	SHEET 1 OF 1		DATE	19/Jun/2024				
XX ±0.5	±1								

A
B
C
D
E

1 2 3 4 5 6 7 8

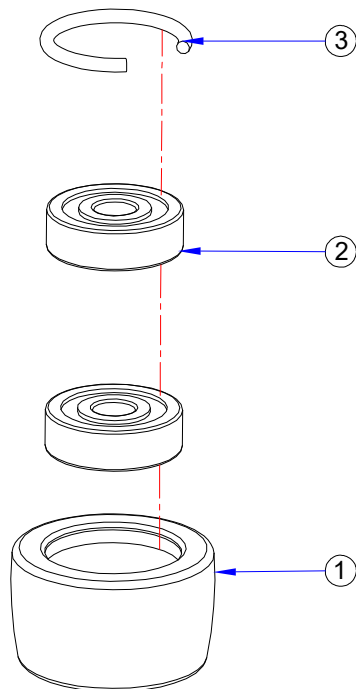
REVISION	DESCRIPTION	REVISED BY	DATE
A	FIRST RELEASE	CONNIE	11/Jan/2022
B	SECOND RELEASE	YANG	19/Jun/2024



Item	P/N	Description	Qty.
	S.115.1054.797/797B	ASSY BRUSH DLUE BRISTLE BLUE COCKER	
1	115.1055.797A	ASSY BRUSH BLUE 0.3PP BRISTLE	1
2	115.0011.0	EJOT PT SCREW WN 5451 30X10	3
3	115.1058.797F	BRUSH LOCK BLUE P312C	1

TOLERANCE UNSPECIFIED		REMARK:		<p align="center">SMT-FCT DONG GUAN THE FRIENDLY FAMILY 东莞硕能塑胶模具有限公司 ASSEMBLY AND MOULDING OF CLEANING</p>				
LINE	ANGLE	MATERIAL:						
.XXX ±0.005	X ±2°	APPROVED	CHECKED	DISGNED	REV	A	PART NAME	IMOPLITE FCT WITH MOTOR W/O CHARGRER & BAT BIG
.XX ±0.05	.X ±1.5°			YANG	UNIT	MM	PART NO	IMOPLT.FCT.1100B2/1
.X ±0.1	.XX ±1°				SCALE	1:1	DRAWING NO	
. ±0.2	.XXX ±0.5°							
XX ±0.5								
±1								
SHEET 1 OF 1		DATE		19/Jun/2024				A4

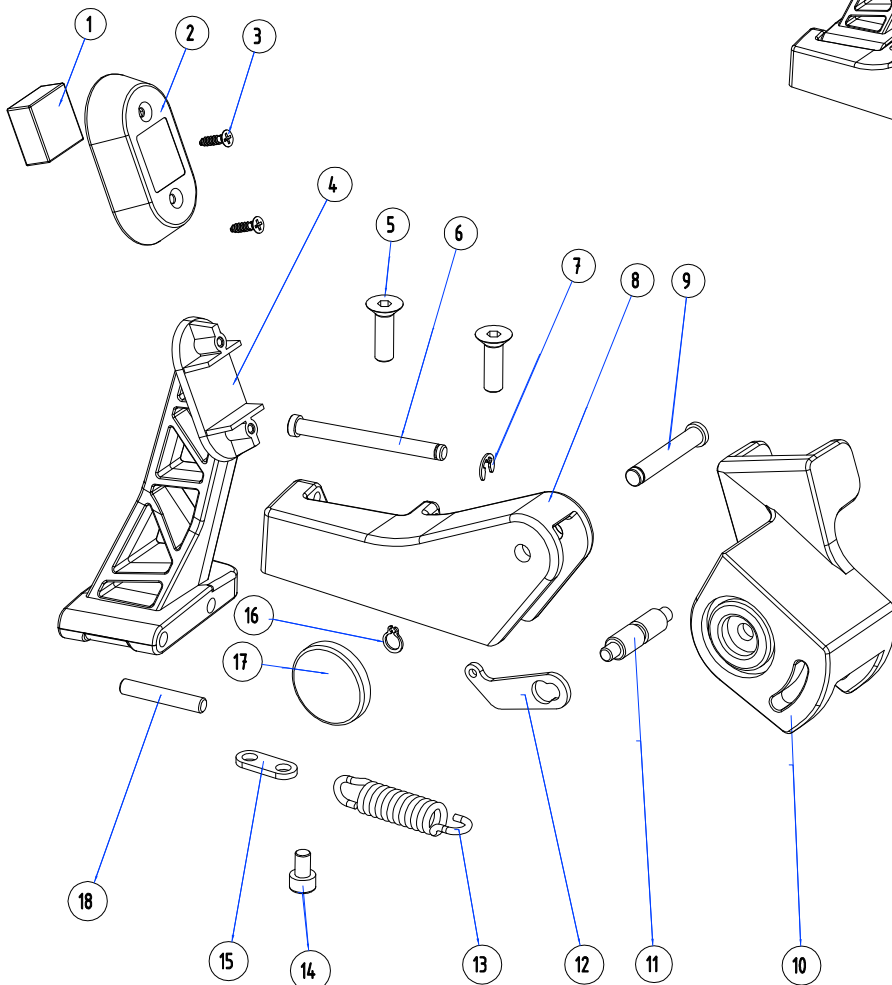
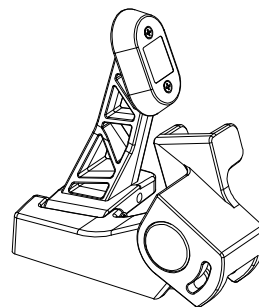
REVISION	DESCRIPTION	REVISED BY	DATE
A	FIRST RELEASE	CONNIE	11/Jan/2022
B	SECOND RELEASE	YANG	19/Jun/2024



Item	P/N	Description	Qty.
	S.115.0231.0A	IDLER COMPLETE TYP C	
1	115.0231.0A	IDLER TYP C	1
2	115.0182.0	BALL BEARING 625 2Z	2
3	115.0183.0	SNAP RING CIRCLIP RB 16X1.6	1

TOLERANCE UNSPECIFIED		REMARK:		 东莞硕能塑胶模具有限公司 ASSEMBLY AND MOULDING OF CLEANING					
LINE	ANGLE	MATERIAL:							
.XXX ±0.005	X ±2°	APPROVED	CHECKED	DISGNED	REV	A	PART NAME	IMOPLTE.FCT WITH MOTOR W/O CHARGRER & BAT BIG	
.XX ±0.05	.X ±1.5°			YANG	UNIT	MM	PART NO	IMOPLT.FCT.1100B2/1	SIZE
.X ±0.1	.XX ±1°				SCALE	1:1	DRAWING NO		A4
. ±0.2	.XXX ±0.5°	SHEET 1 OF 1		DATE	19/Jun/2024				
XX ±0.5									
±1									

REVISION	DESCRIPTION	REVISED BY	DATE
A	FIRST RELEASE	CONNIE	11/Jan/2022
B	SECOND RELEASE	YANG	19/Jun/2024



Item	P/N	Description	Qty.
	S.115.0307.357	[MCH 211-xxx](101)SUPPORT SYSTEM COMPLETE	
1	72.0053.0	MAGNET TOP UNIT SMALL 20X20X10MM [MCH 1416-1001-21	1
2	115.0306.8	[MCH 211-378](101)SUPPORT SYSTEM CAP YELLOW P122C	1
3	72.0201.0	SCREW ST3 x10 COUNTER SUNK	2
4	115.0305.357A	[MCH 211-377](102)SUPPORT SYSTEM LEVER GREY P431C	1
5	72.0033.2	COUNTER SUNK HEAD CAP SCREW M6X20 WITH NYLOK SCREW	2
6	115.0294.0	[MCH 211-381](101) SUPPORT SYSTEM BRACKET SHAFT	1
7	115.0303.0	[MCH 031-101](101) CIRCLIP EXTERNAL 4.0 GB/T 896-1986	1
8	115.0307.357A	[MCH 211-089](102) SUPPORT SYSTEM BRACKET COMPLETE GREY P431C	1
9	115.0295.0	[MCH 211-382](101) SUPPORT SYSTEM HOLDER SHAFT	1
10	115.0309.357	[MCH 211-376](101)SUPPORT SYSTEM HOLDER GREY P431C	1
11	115.0296.0	SUPPORT SYSTEM SPRING AXIS	1
12	115.0297.0	[MCH 211-383](101) SUPPORT SYSTEM SPRING CONNECTOR	1
13	115.0299.0	[MCH 043-107](101)EXTENSION SPRING 2.20 X 48.0	1
14	115.0302.0	[MCH 013-139](101) HEX SOCKET BOLT M5x8 GB/T 70.1-2006 STAINLESS STEEL	1
15	115.0298.0	[MCH 211-385](101) SUPPORT SYSTEM SPRING SUPPORT	1
16	115.0304.0	[MCH 031-103](101)CIRCLIP EXTERNAL 6.0 GB/T 894.1-1986	1
17	115.0308.0A	[MCH 211-375](102)SUPPORT SYSTEM COVER PAINTED COLOR PSEH-634B	1
18	115.0293.0A	[MCH 211-380](102) SUPPORT SYSTEM LEVER AXIS	1

TOLERANCE UNSPECIFIED		REMARK:						
LINE	ANGLE	MATERIAL: APPROVED CHECKED DISGNED UNIT MM SCALE 1:1			东莞硕能塑胶模具有限公司 ASSEMBLY AND MOULDING OF CLEANING			
.XXX ±0.005	X ±2°				IMOPLTE FCT WITH MOTOR W/O CHARGRE & BAT BIG IMOPLT.FCT.1100B2/1 SIZE A4			
.XX ±0.05	.X ±1.5°							
.X ±0.1	.XX ±1°							
. ±0.2	.XXX ±0.5°							
XX ±0.5 ±1		SHEET 1 OF 1 DATE 19/Jun/2024						